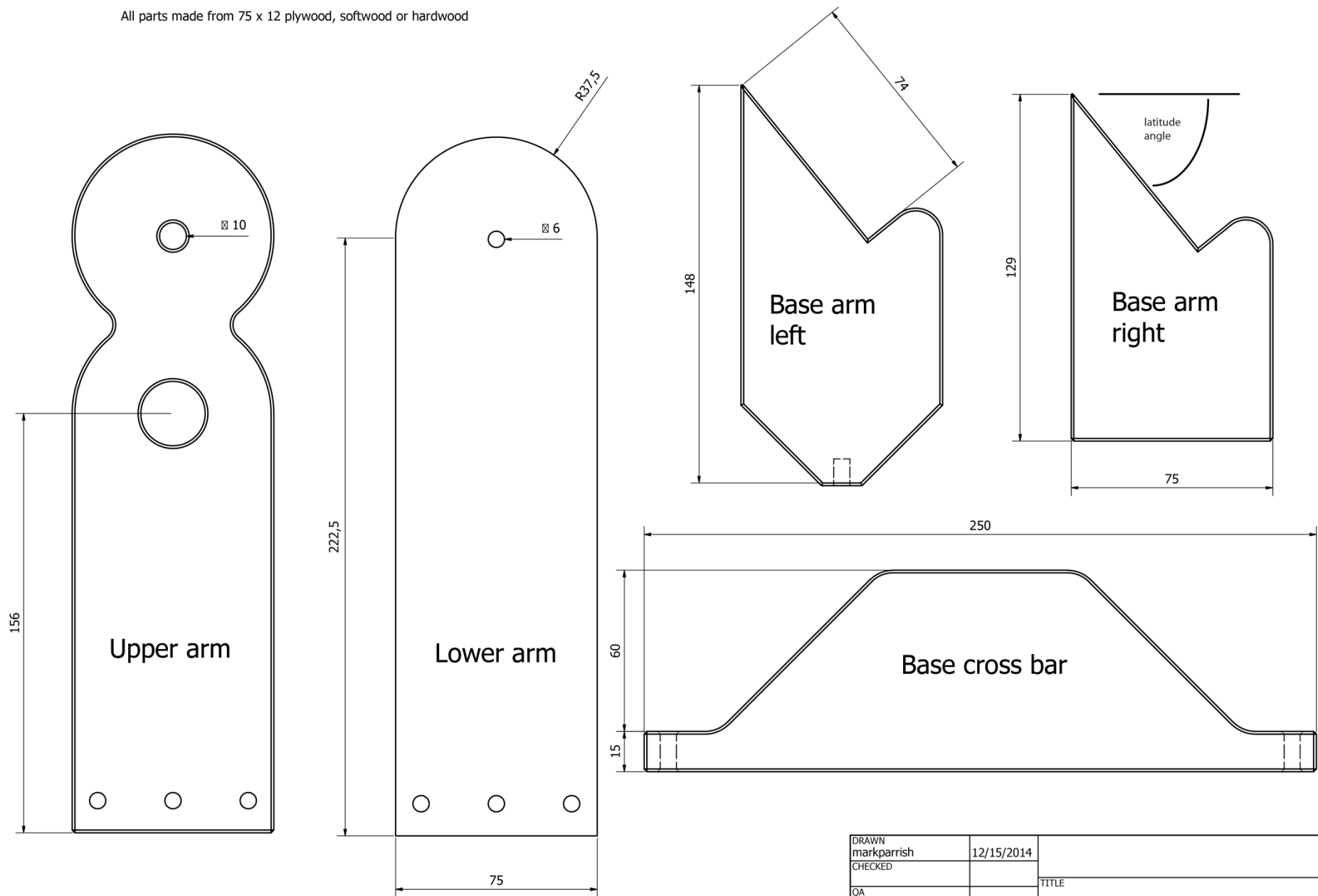


All parts made from 75 x 12 plywood, softwood or hardwood



# Barn Door Tracker

DRAWN markparrish	12/15/2014	TITLE  <b>Scale 1:2</b>		
CHECKED				
QA				
MFG				
APPROVED		SIZE C	DWG NO main parts drawing	REV
		SCALE	SHEET 1 OF 1	