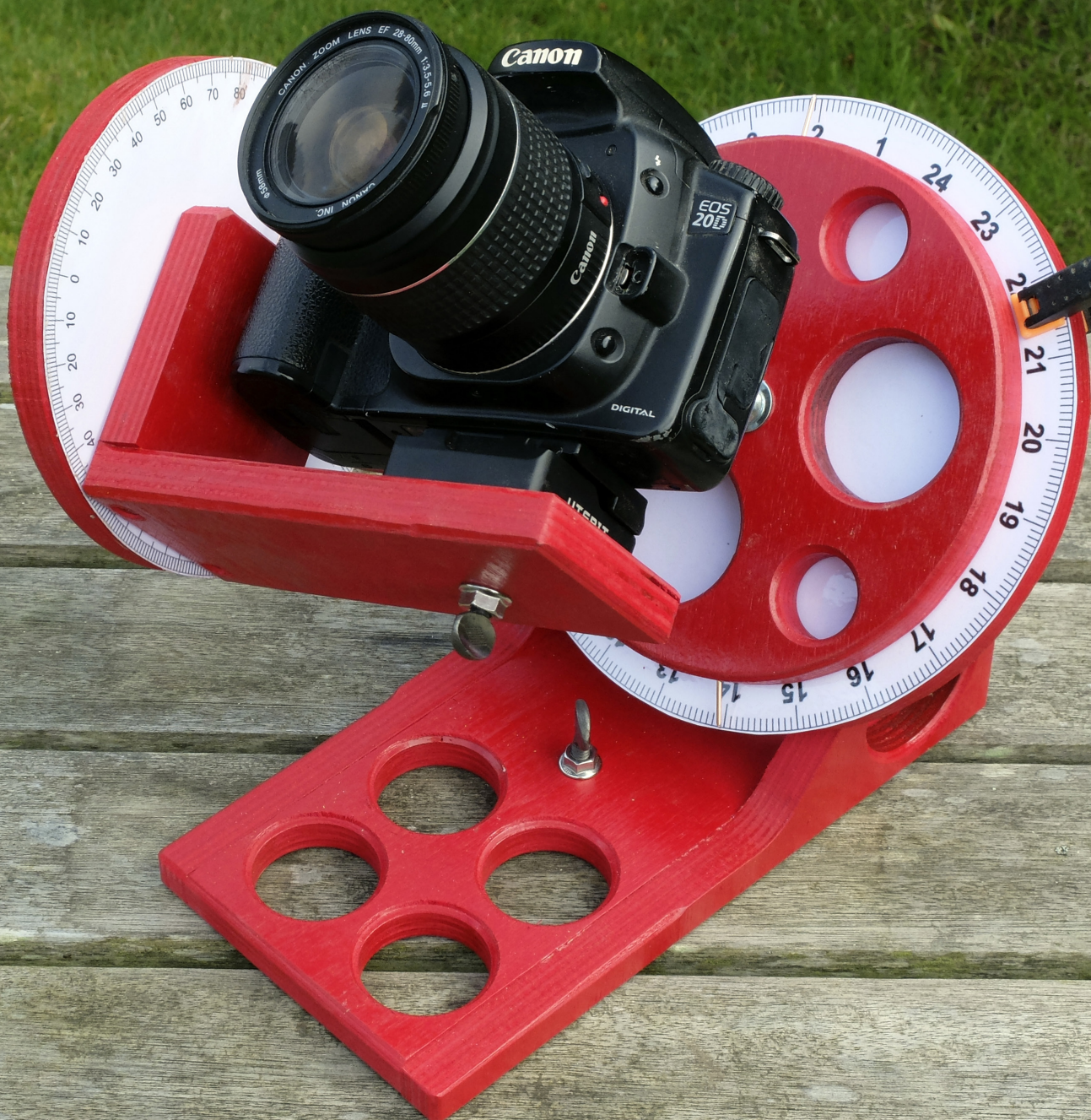
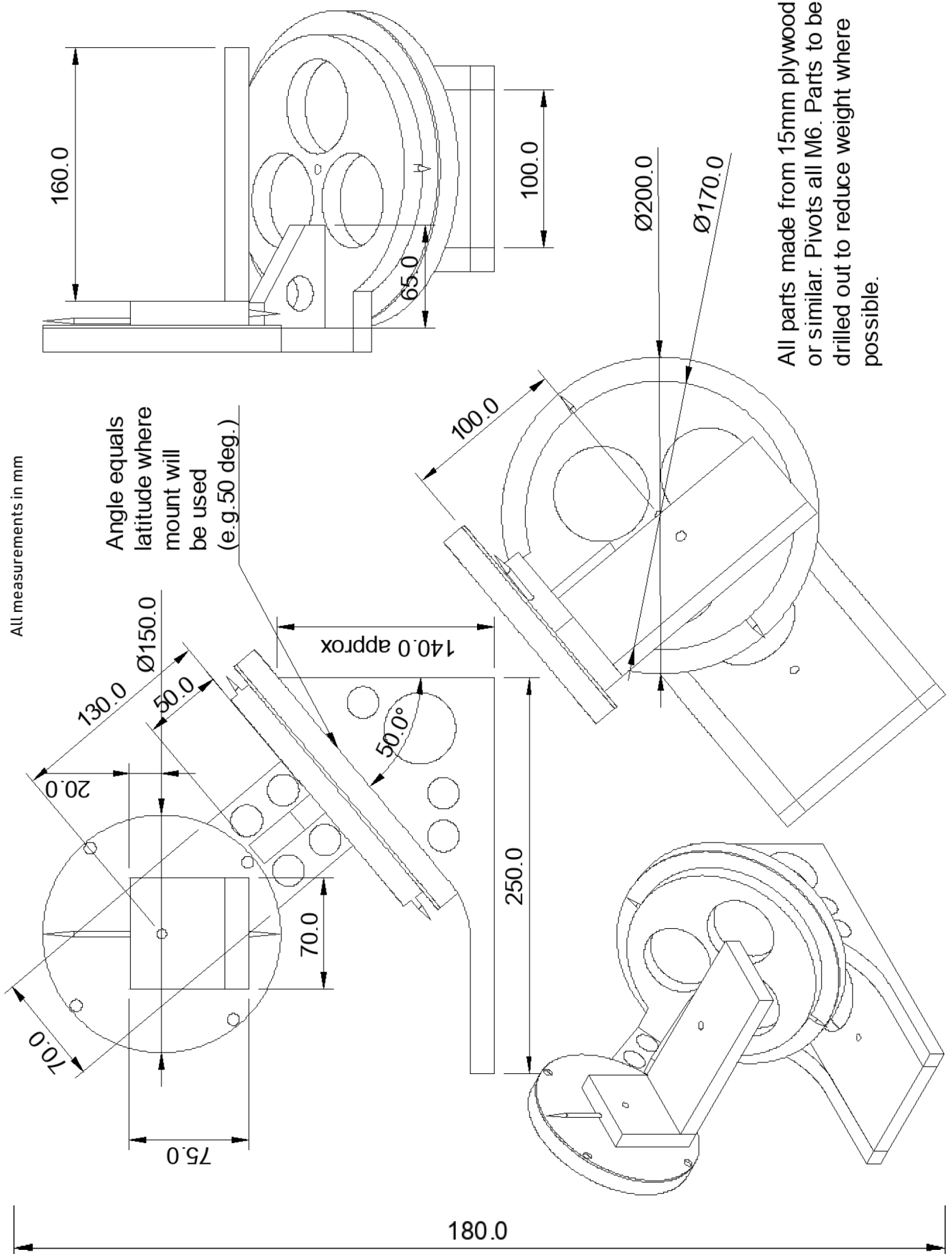


Build your own equatorial camera mount

Plans and measurements

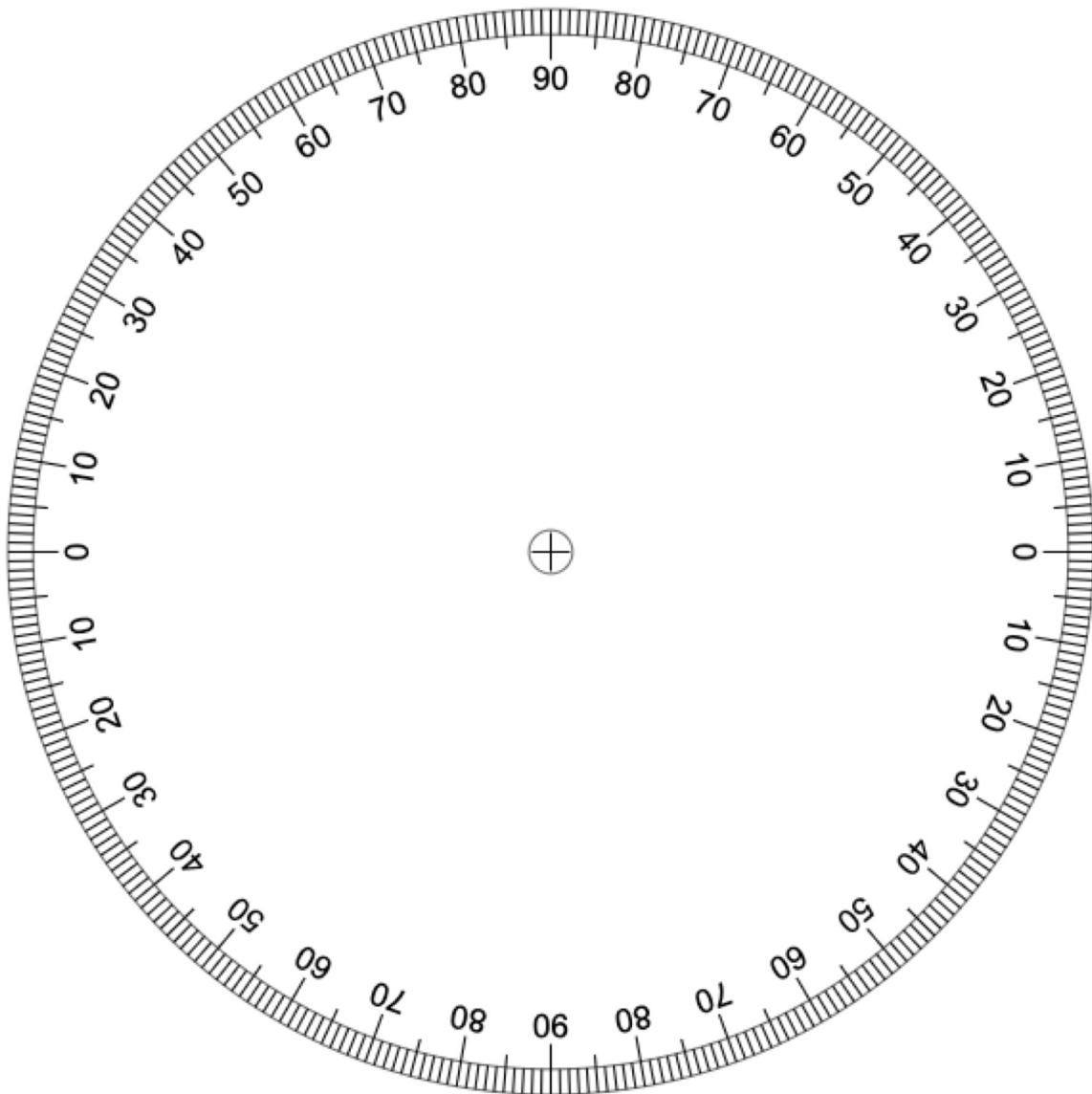


ALL PICTURES: WILKINSON/ISTOCK



All parts made from 15mm plywood or similar. Pivots all M6. Parts to be drilled out to reduce weight where possible.

IMPORTANT!
Set your printer
scale to 100%
for all printouts



IMPORTANT!
Set your printer
scale to 100%
for all printouts

