
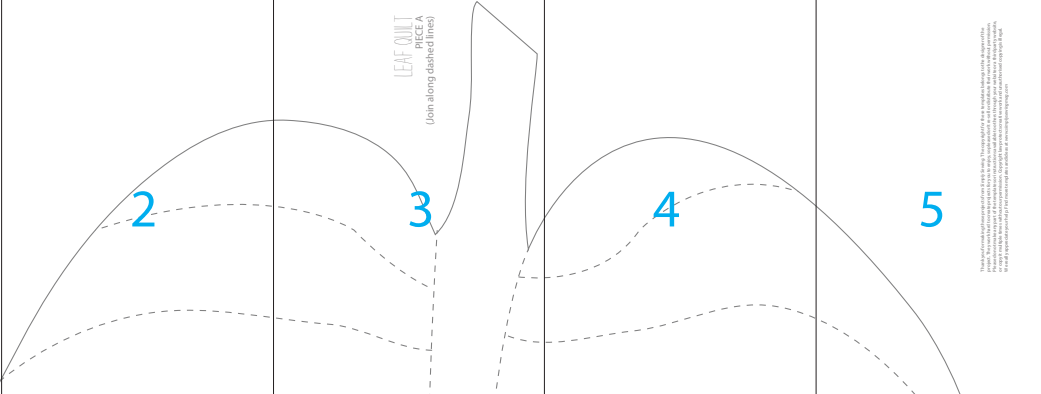





Simply Sewing

FRESH IDEAS WITH FABRIC

HOW TO PRINT THIS PATTERN

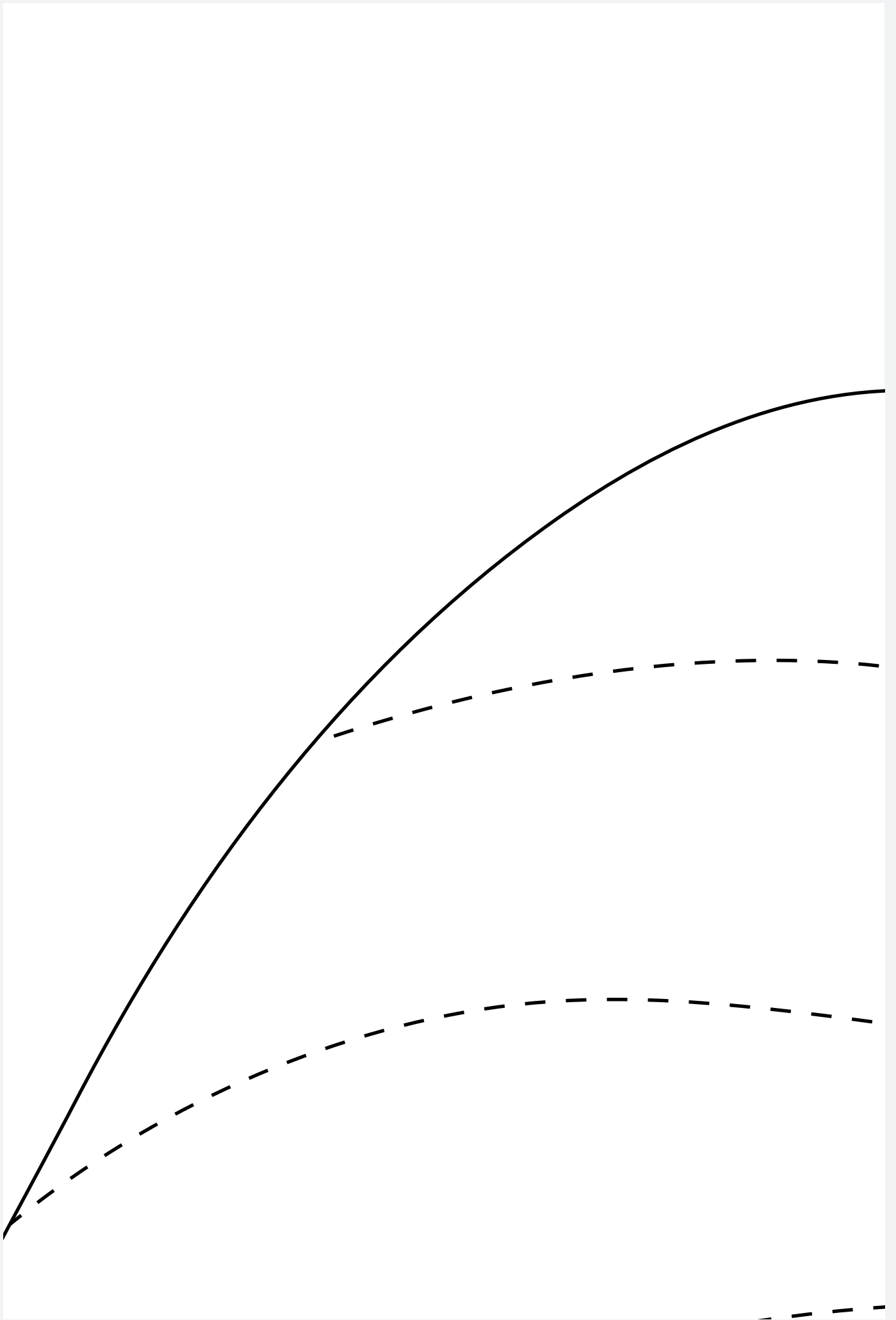
Print out this 30-page PDF on to A4 paper. Trim away the shaded border from each page and position the pages as below to assemble the pattern...

 <p>TEST SQUARE 10x10cm</p> <p>1</p>	 <p>2 3 4 5</p> <p>LEAF QUILT PIECE A (Join along dashed lines)</p>				<p>10x10cm test square instructions</p>
<p>Simply Sewing FRESH IDEAS WITH FABRIC Use these templates to make the garment bag and hair quilt.</p> <p>6</p>	<p>7</p>	<p>8</p>	<p>9</p>	<p>10</p>	
 <p>11 GARMENT BAG</p>	<p>12</p>	<p>13</p> <p>Place on fold</p>	<p>14</p>	<p>15</p>	

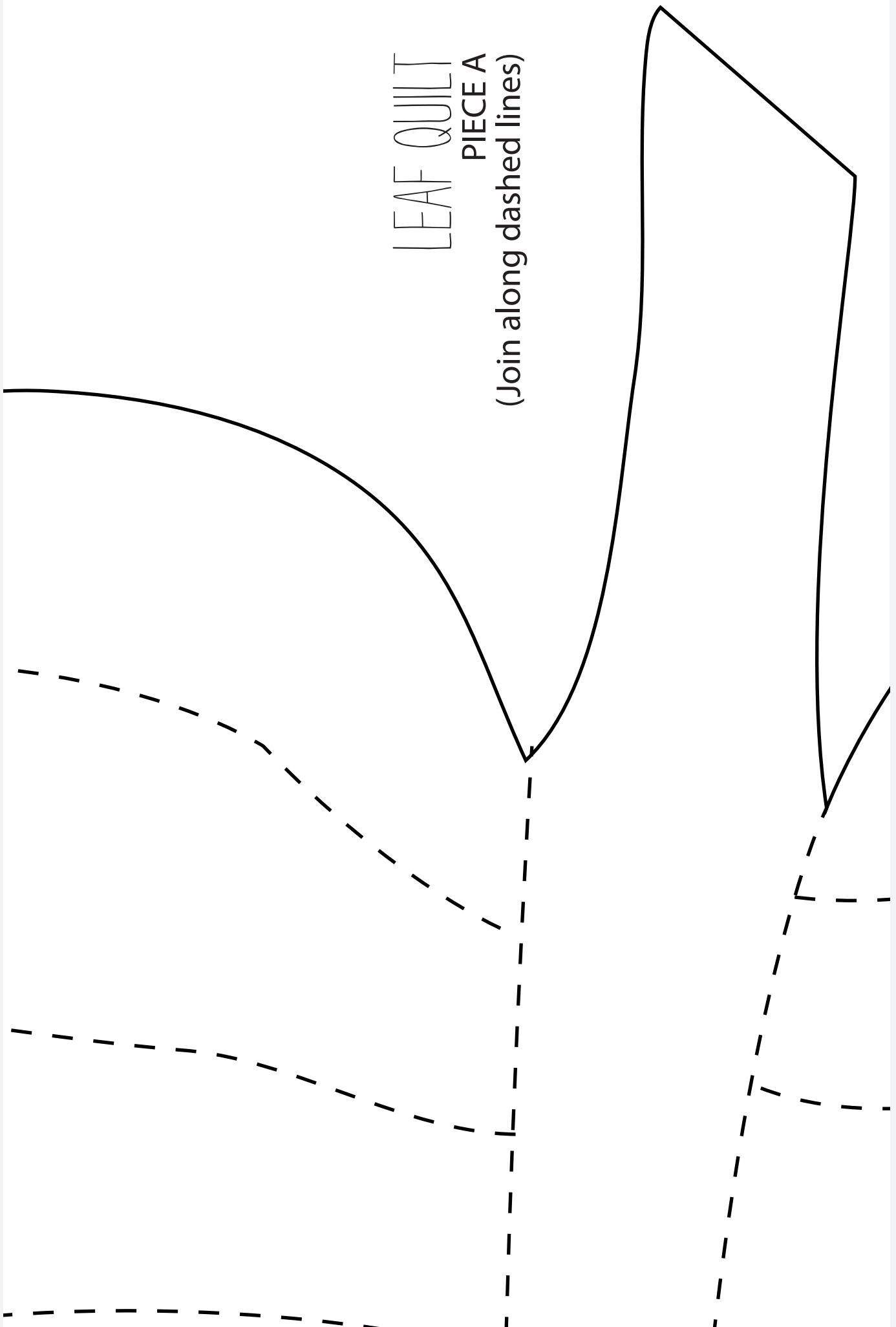
<p>16</p>	<p>17</p>	<p>18</p>	<p>19</p>	<p>20</p>
<p>Simply Sewing FRESH IDEAS WITH FABRIC Use these templates to make the quilt.</p> <p>21</p>	<p>22</p>	<p>23</p>	<p>24</p>	 <p>25</p>
 <p>26</p>	<p>27</p>	<p>28</p>	<p>29</p>	<p>30</p>

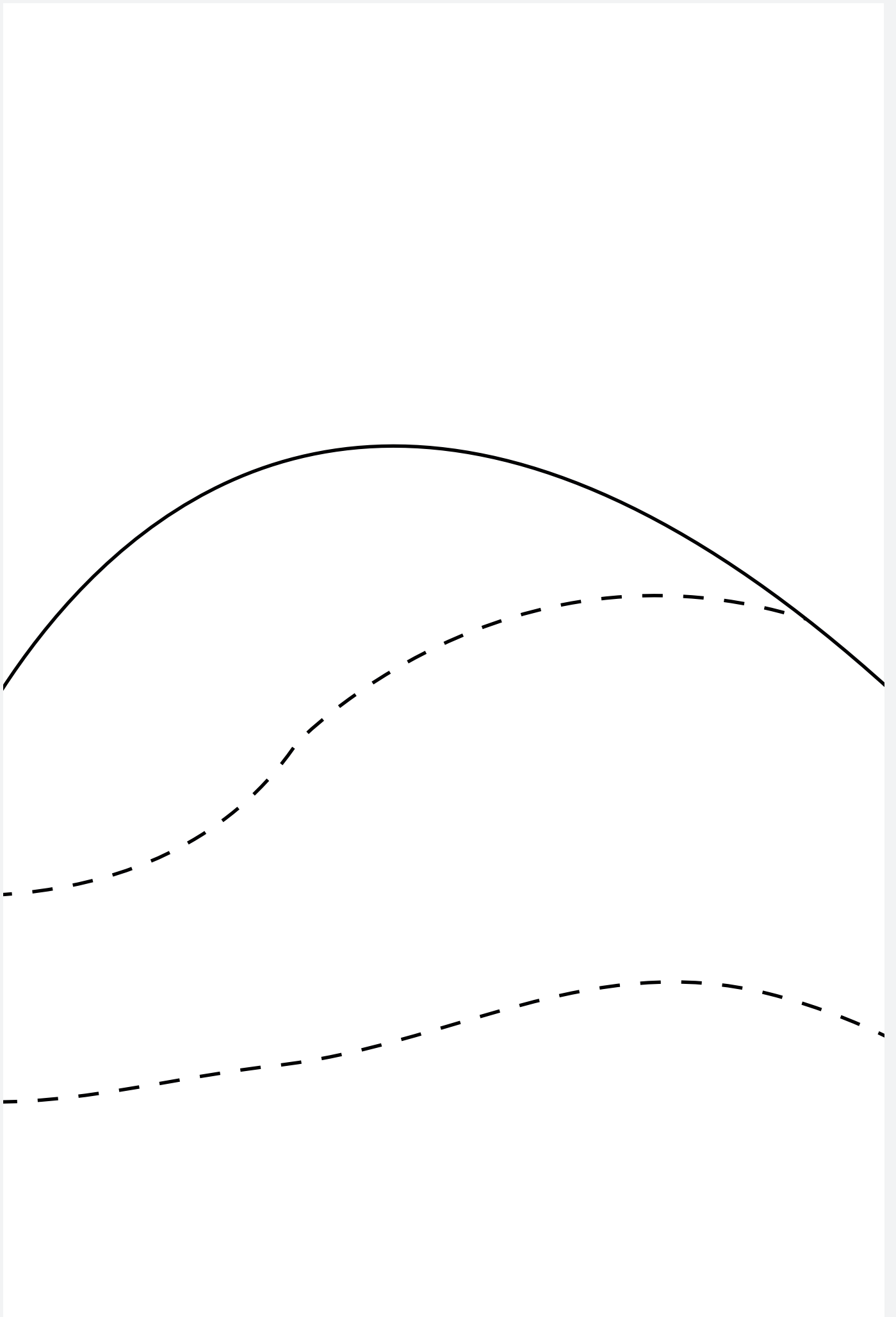
LEAF QUILT
PIECE B
(Join along dashed lines)

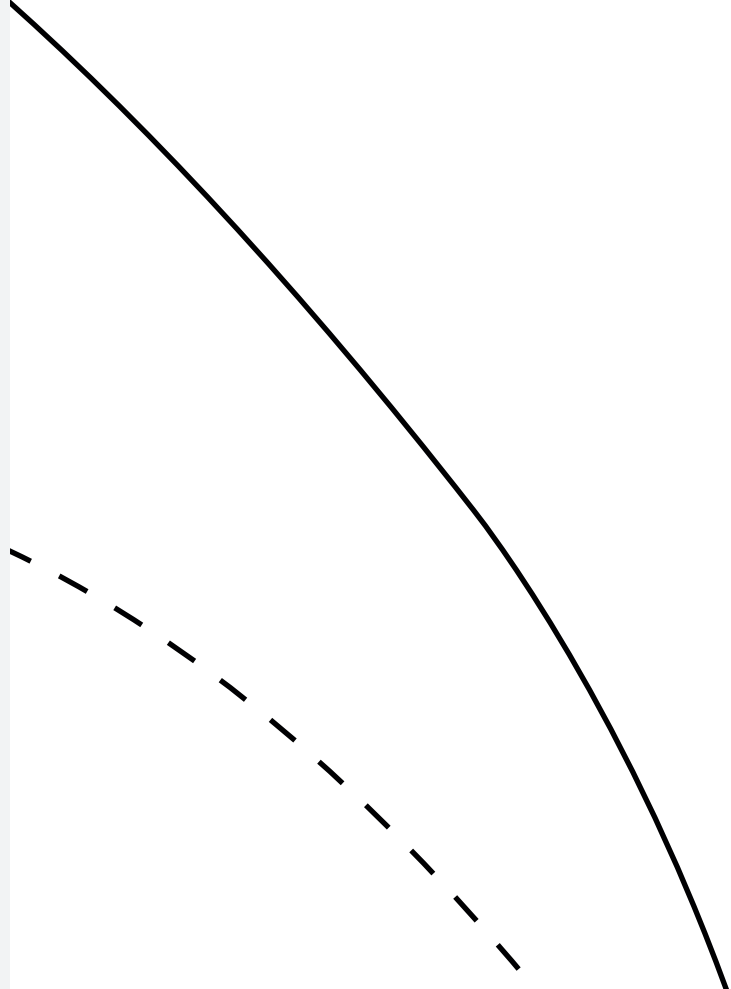




LEAF QUILT
PIECE A
(Join along dashed lines)







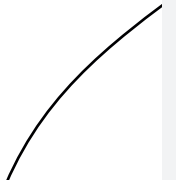
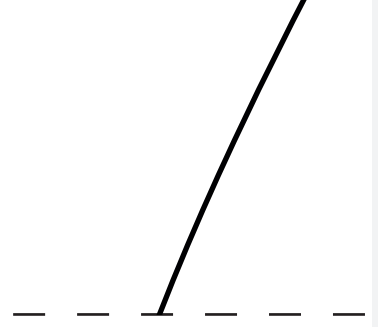
Thank you for making these projects from *Simply Sewing*. The copyright for these templates belongs to the designer of the project. They work hard to create projects for you to enjoy, so please don't re-sell or distribute their work without permission. Please do not make any part of the templates or instructions available to others through your website or a third party website, or copy it multiple times without our permission. Copyright law protects creative work and unauthorised copying is illegal. We really appreciate your help. Find more templates and ideas at www.simplysewingmag.com

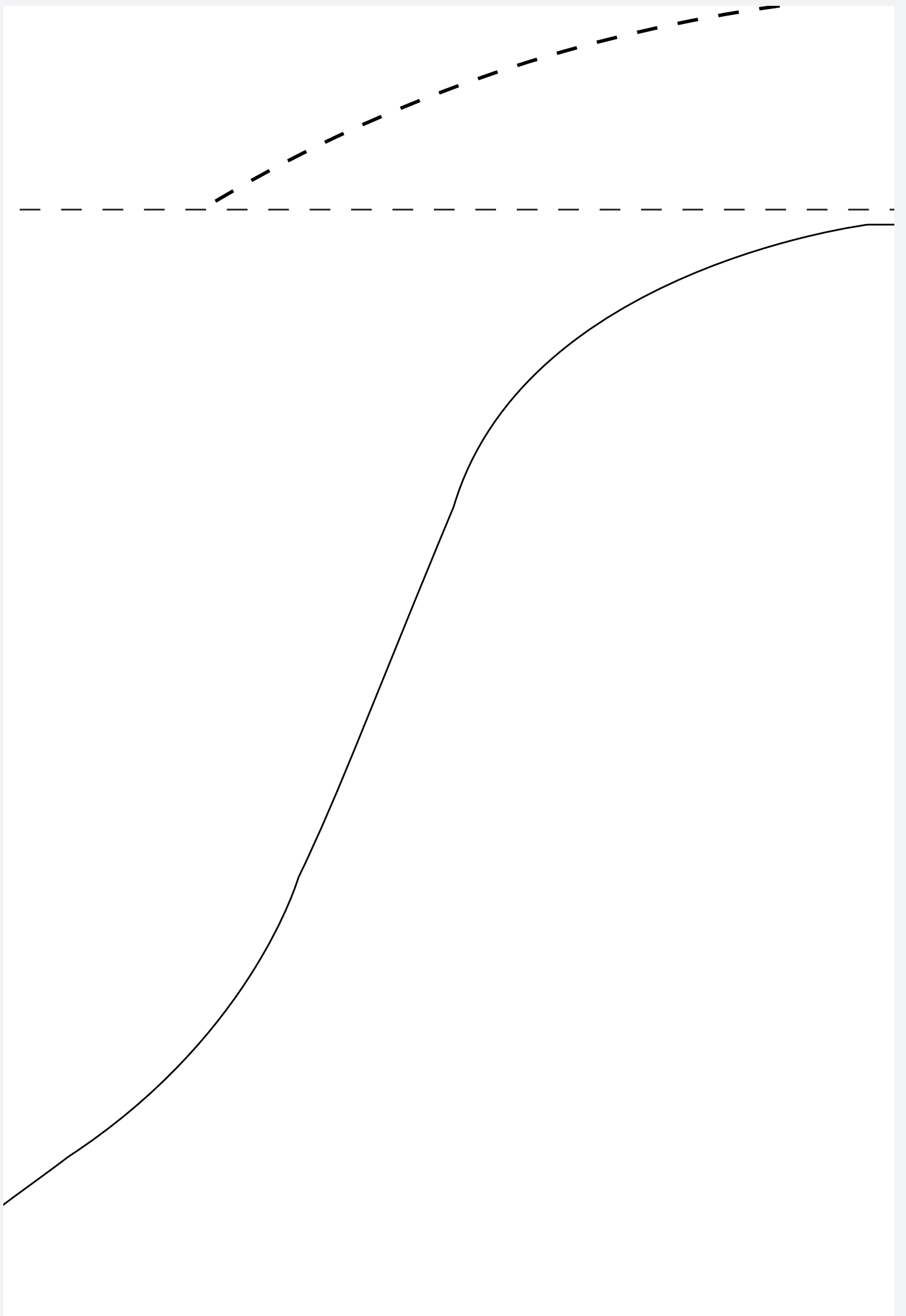
Simply. **SEW!**

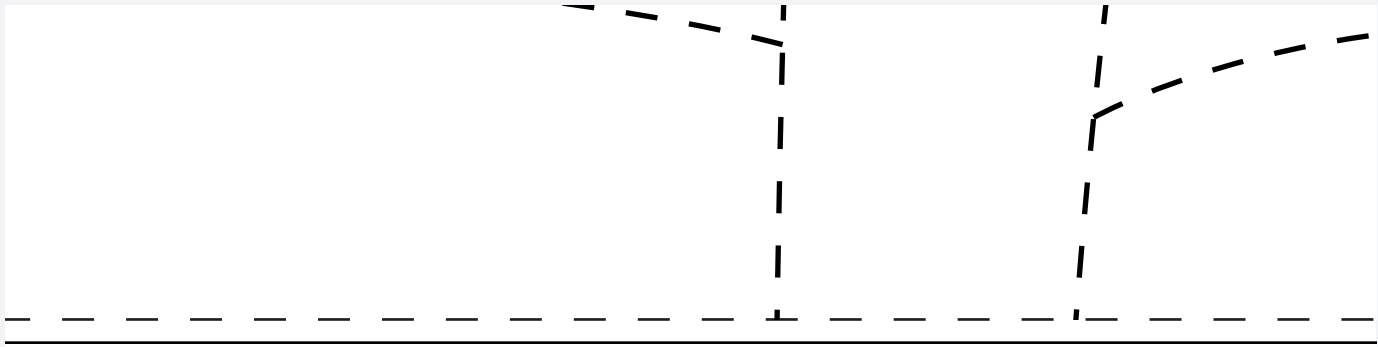
FRESH IDEAS WITH FAE

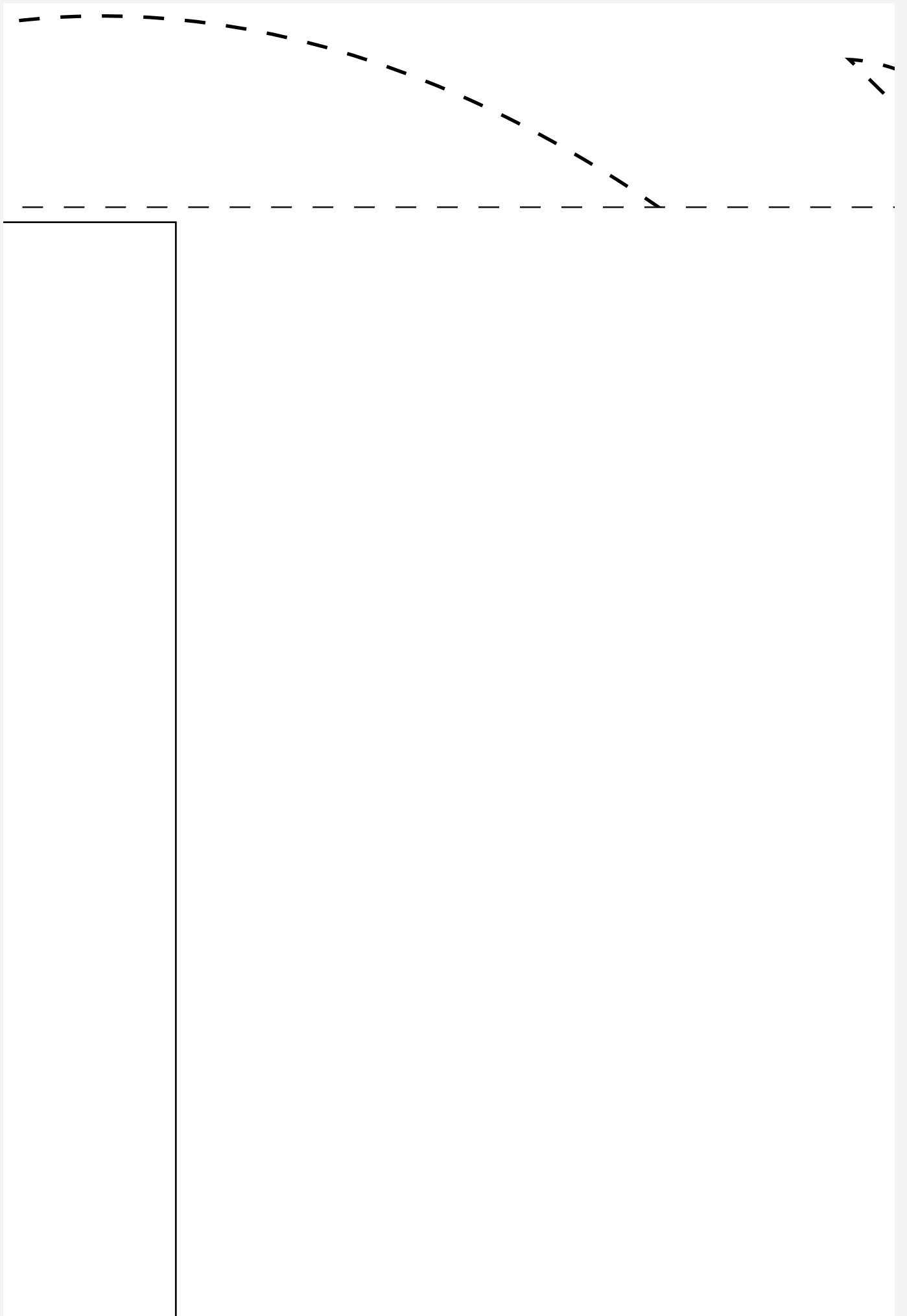
Use these templates to make the gas
bag and leaf quilt.

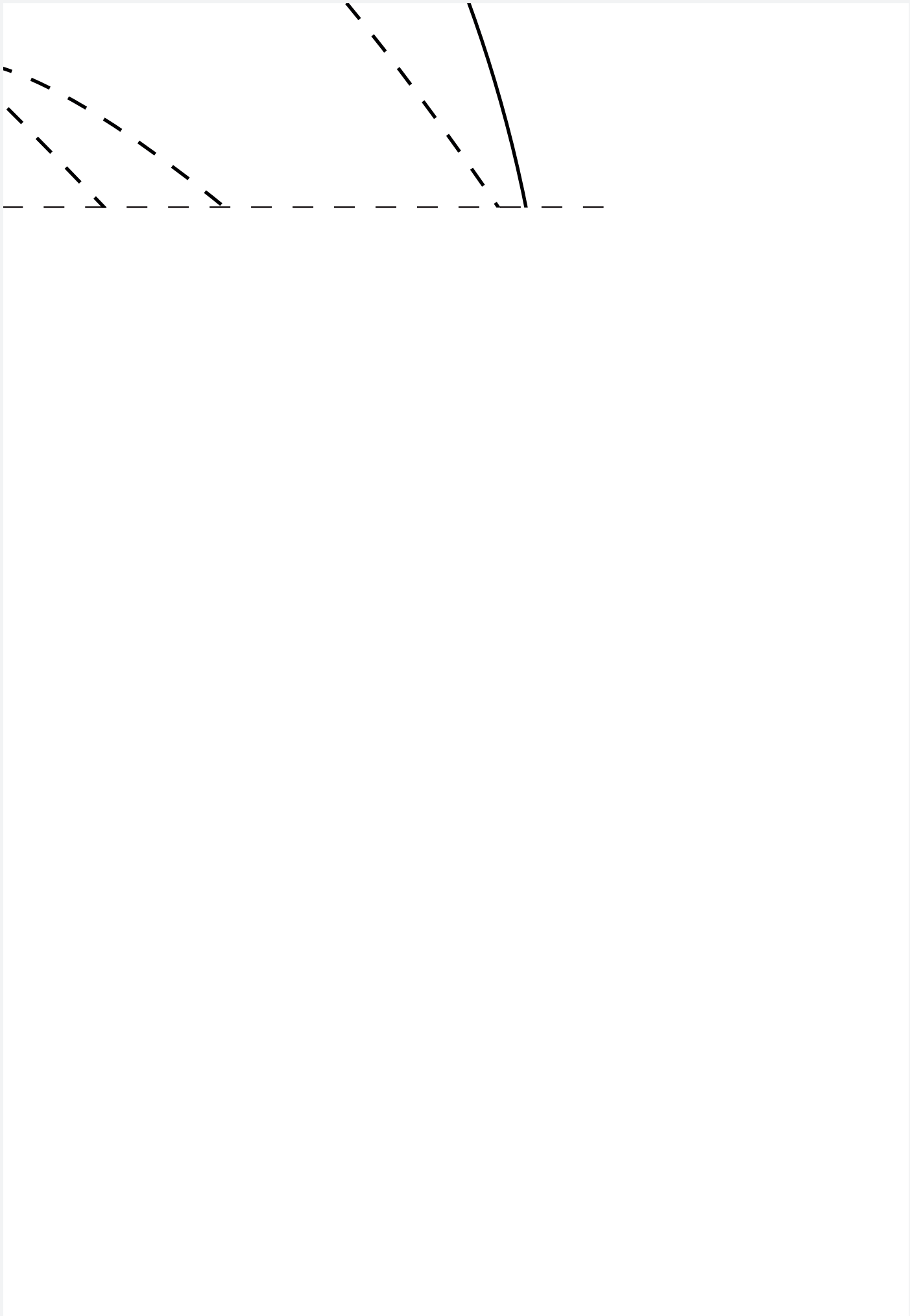
AG









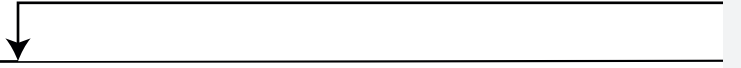




GARMENT B/

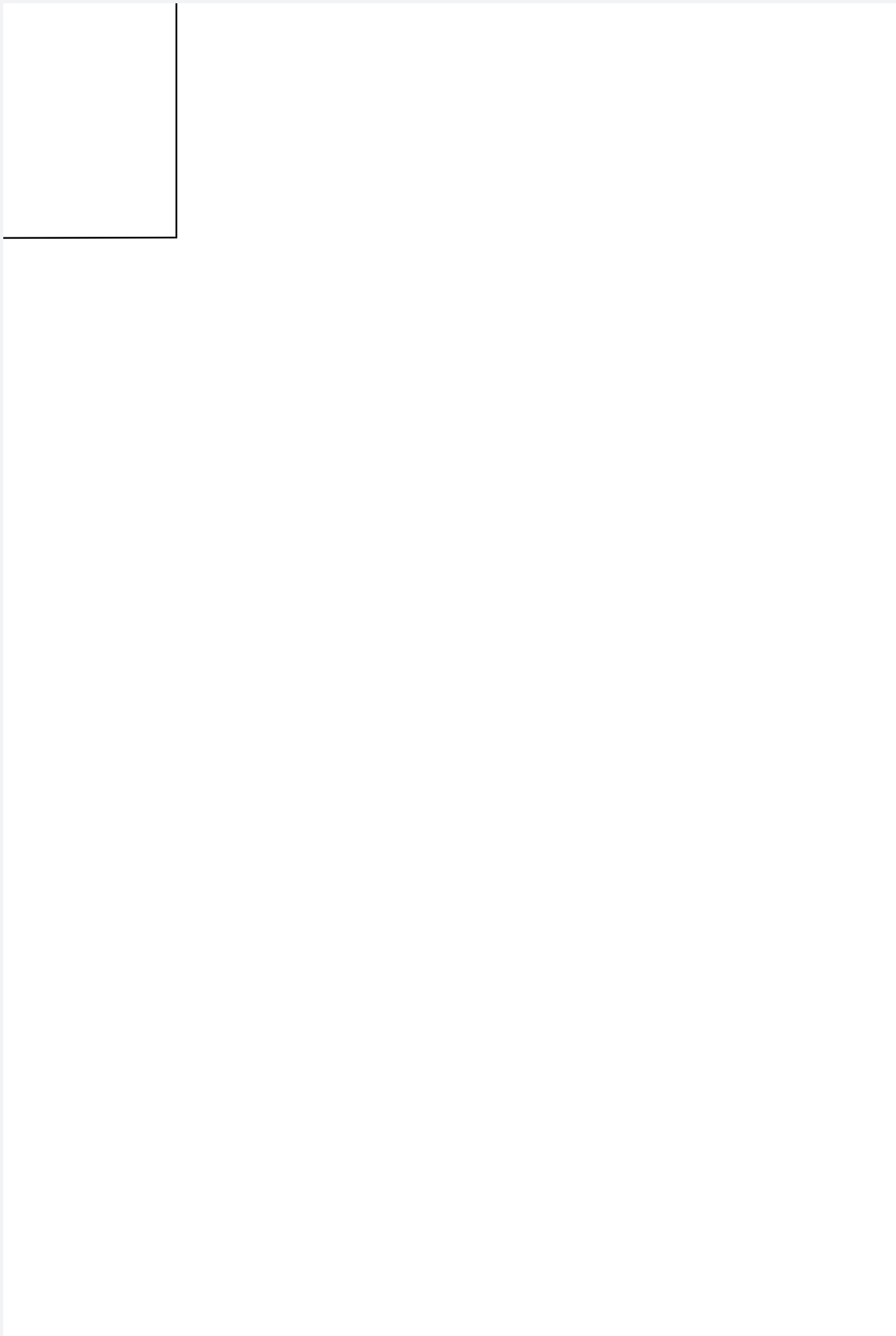


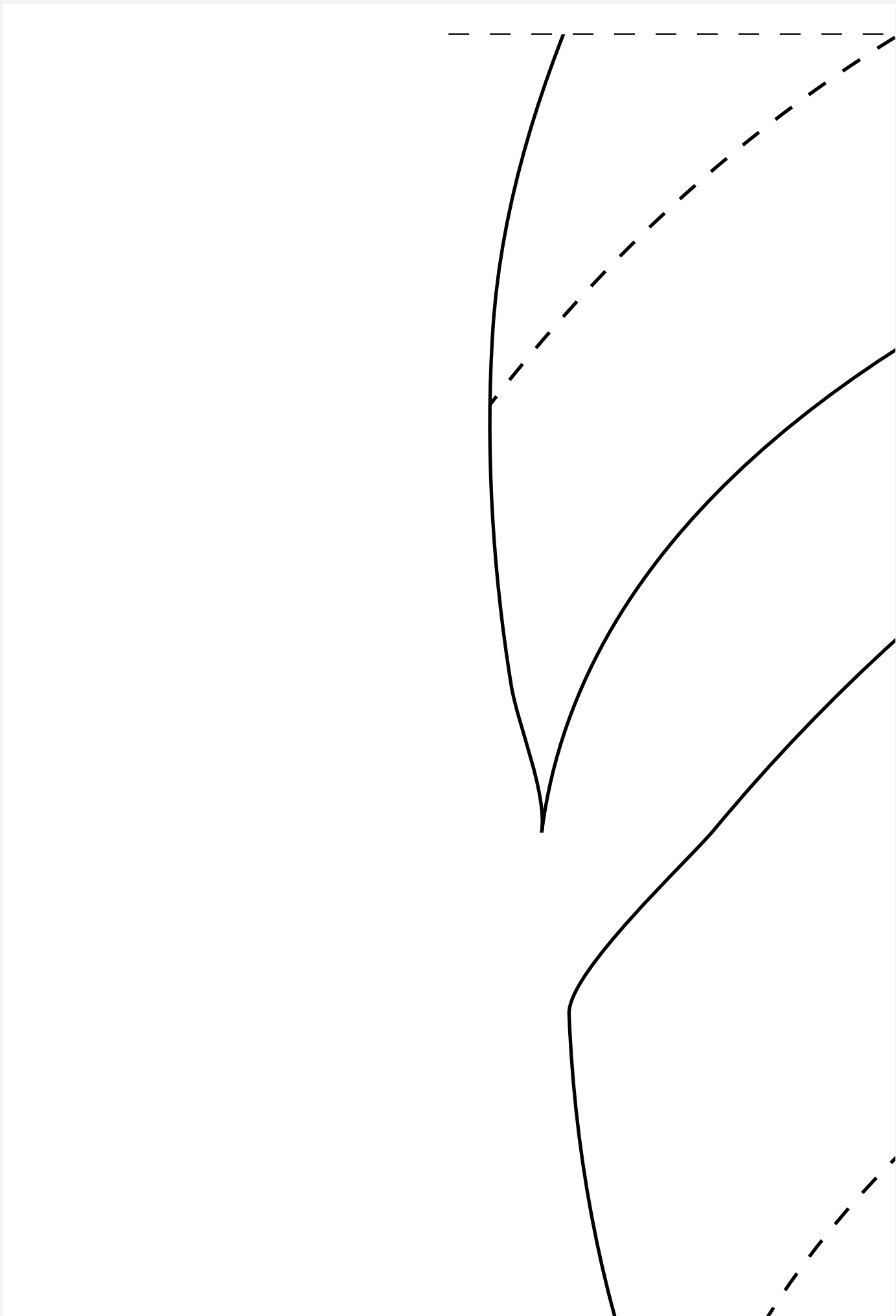
P

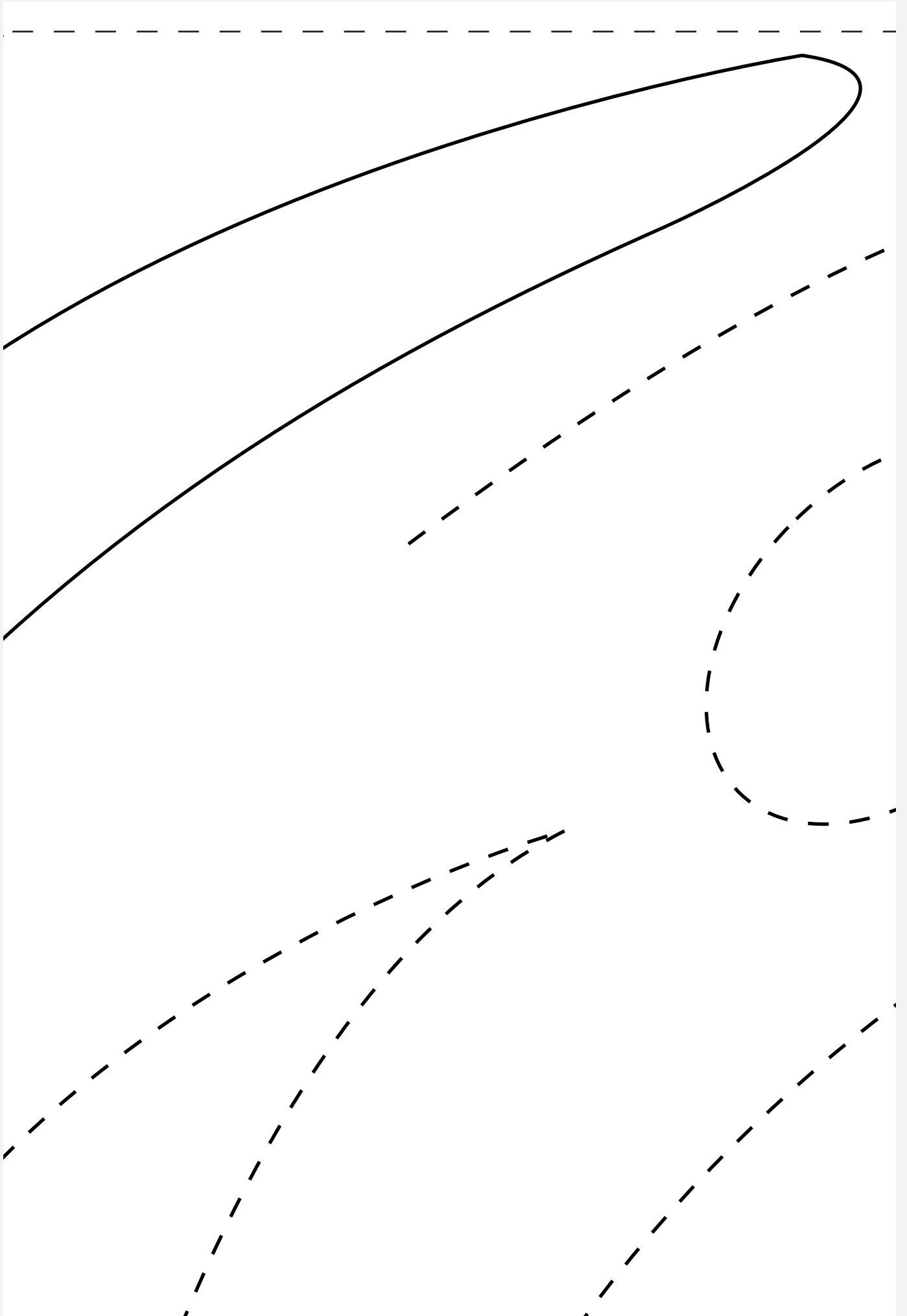


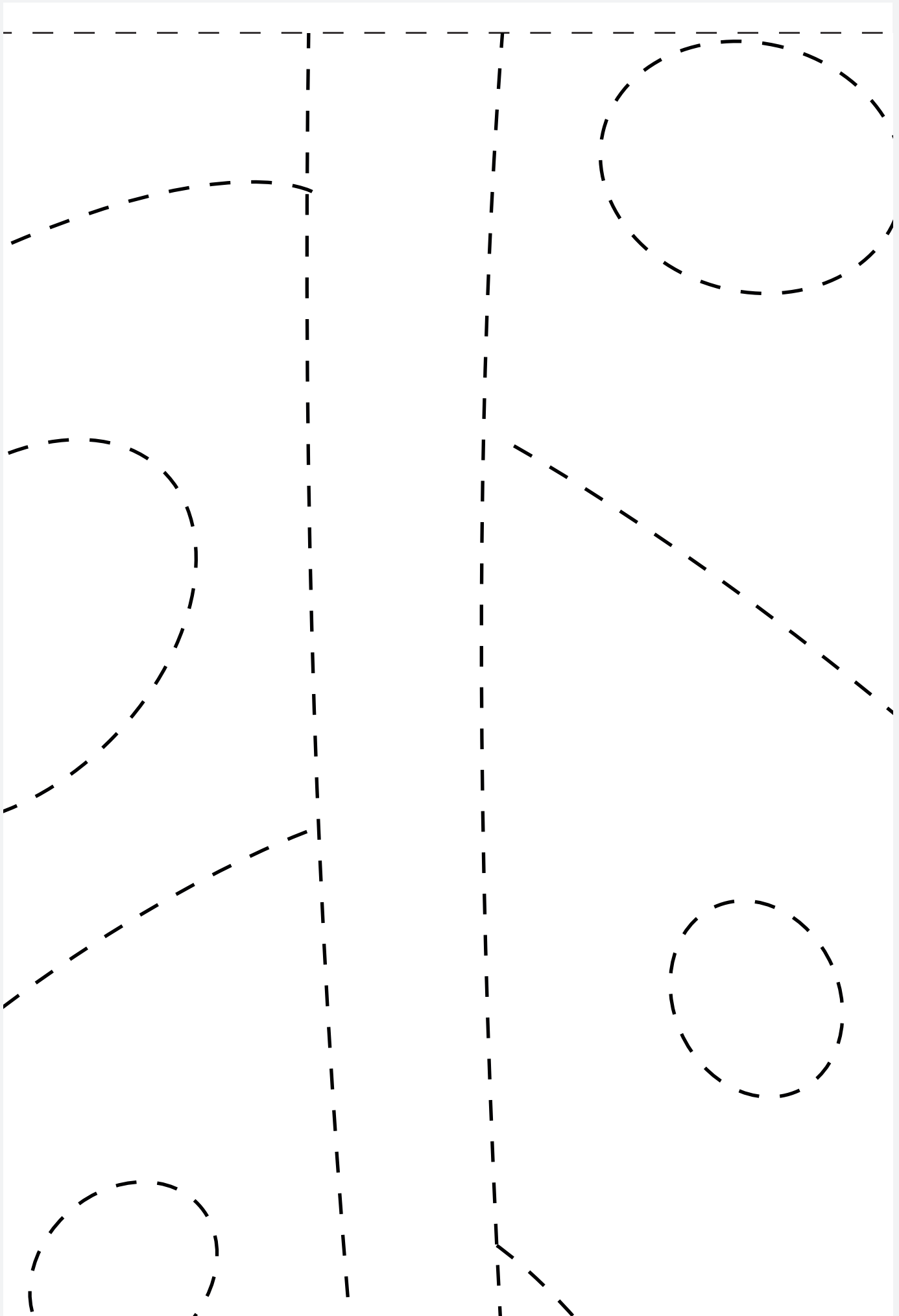
Place on fold

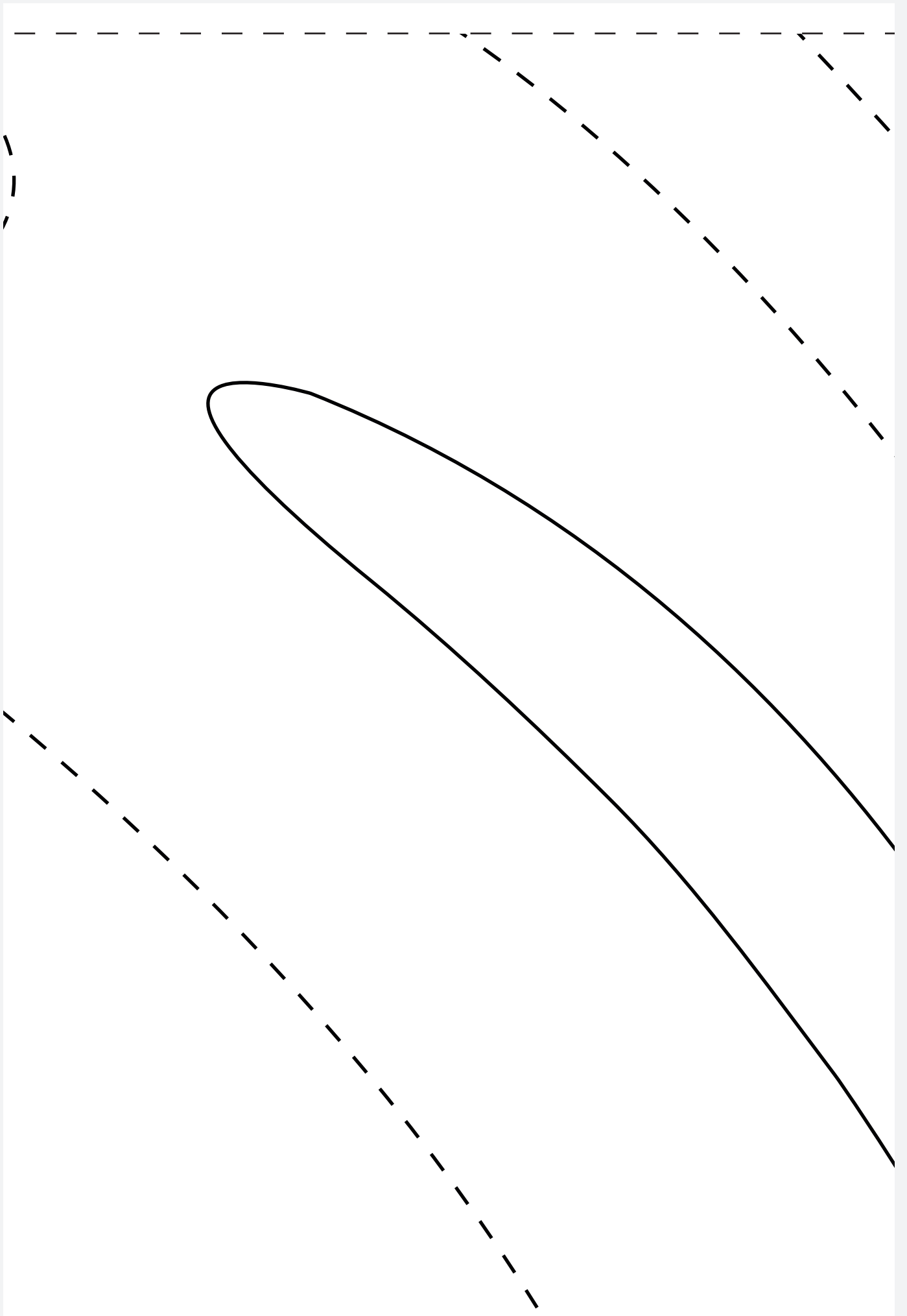




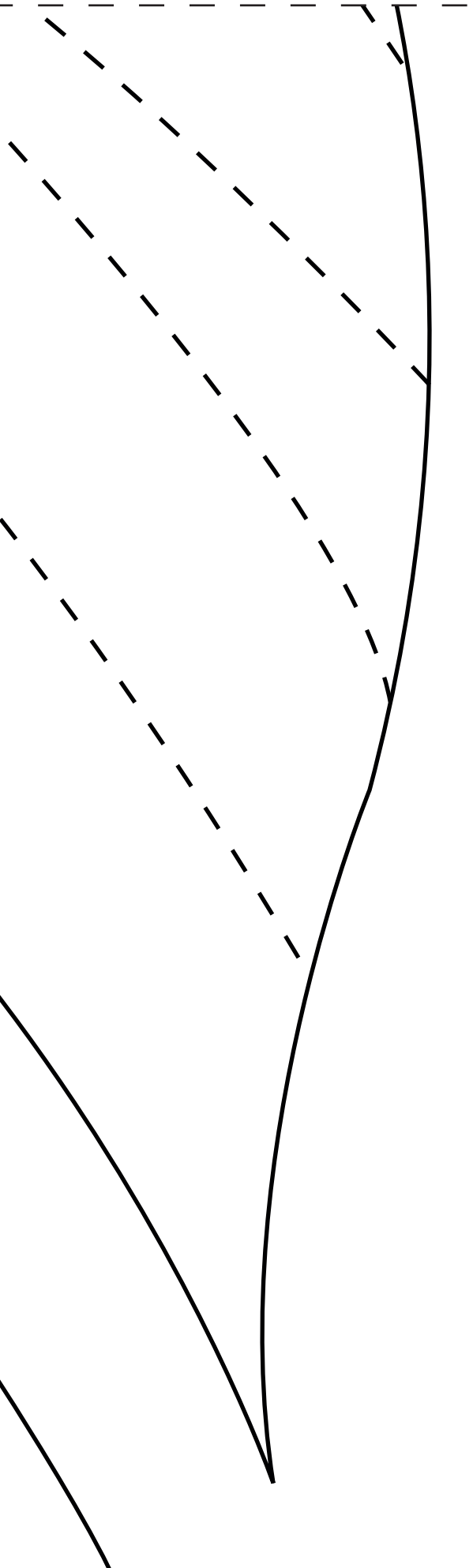








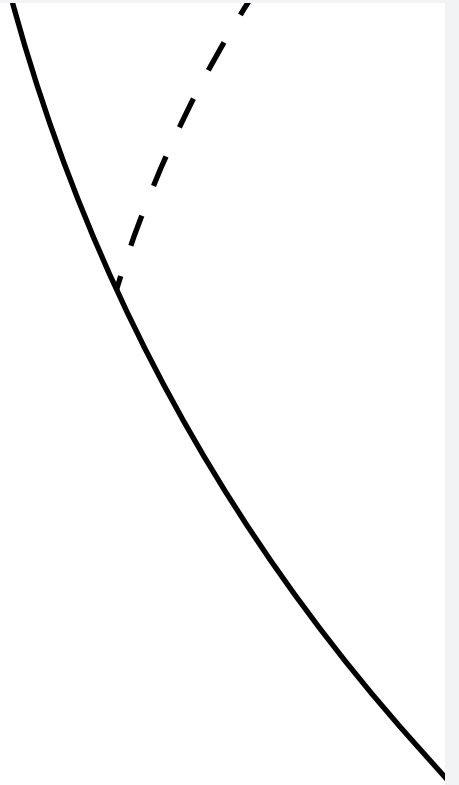
Thank you for making these projects from *Simply Sewing*. The copyright for these templates belongs to the designer of the project. They work hard to create projects for you to enjoy, so please don't re-sell or distribute their work without permission. Please do not make any part of the templates or instructions available to others through your website or a third party website, or copy it multiple times without our permission. Copyright law protects creative work and unauthorised copying is illegal. We really appreciate your help. Find more templates and ideas at www.simplysewingmag.com



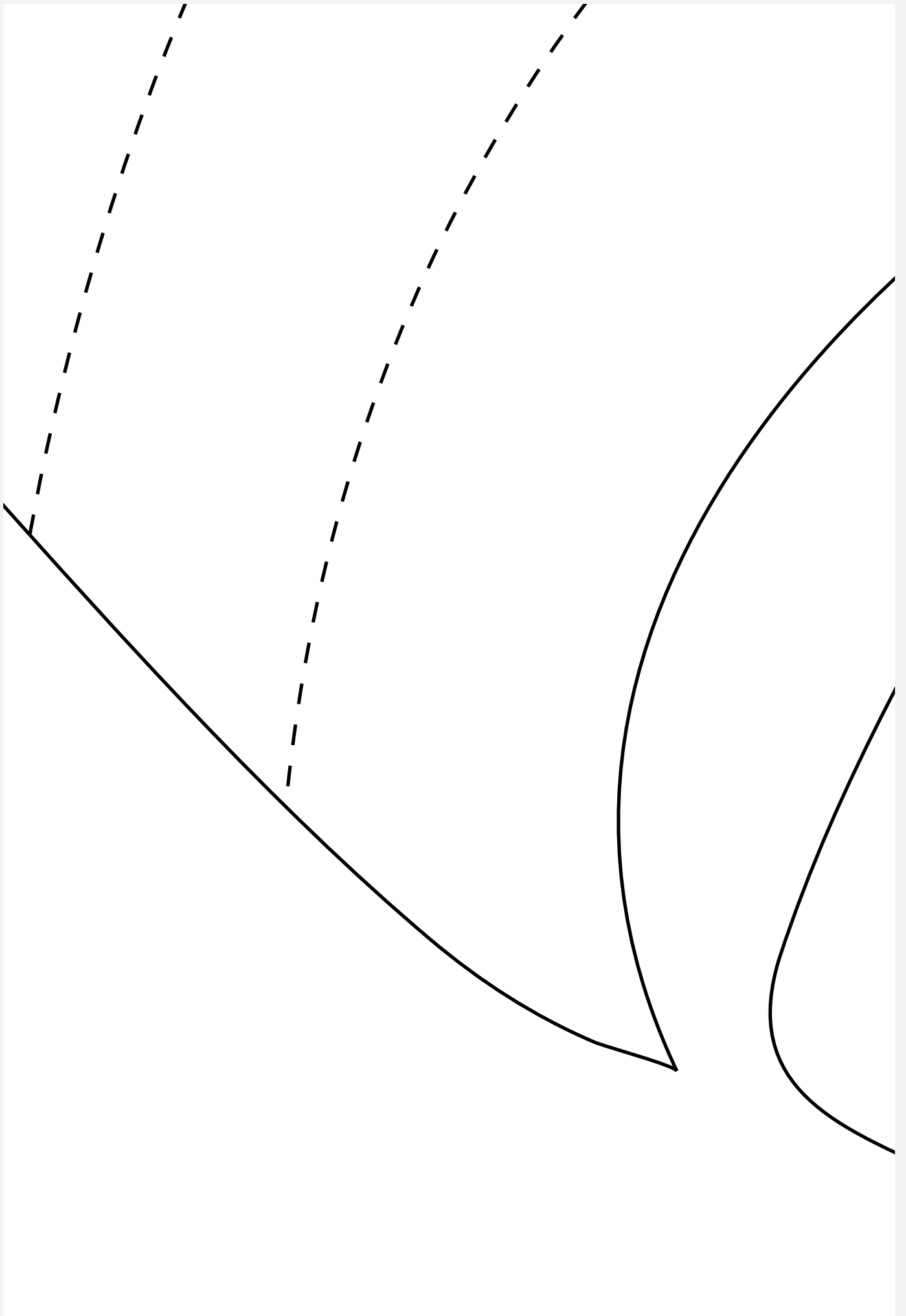
Simply. **SEWING**

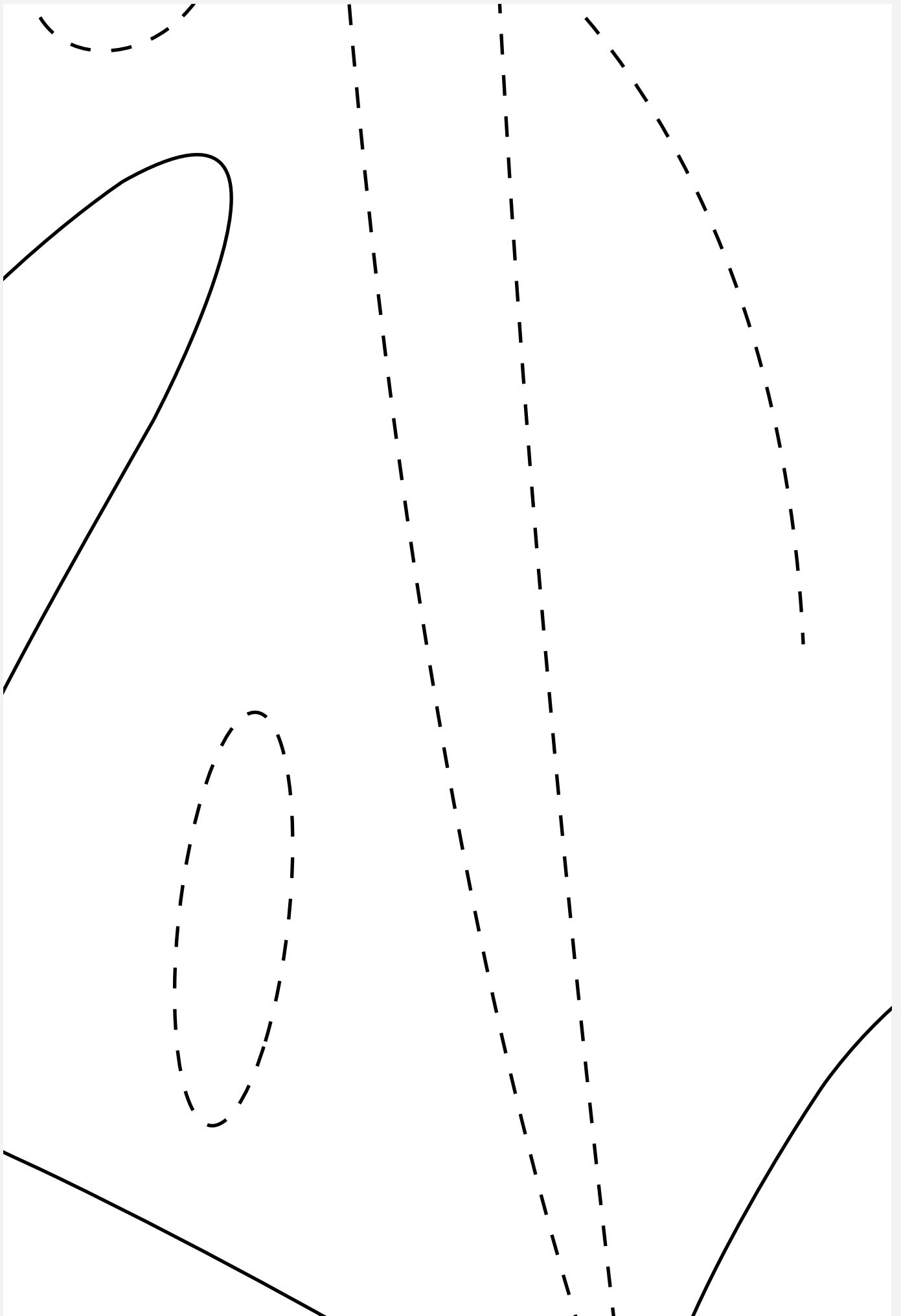
FRESH IDEAS WITH FABRIC

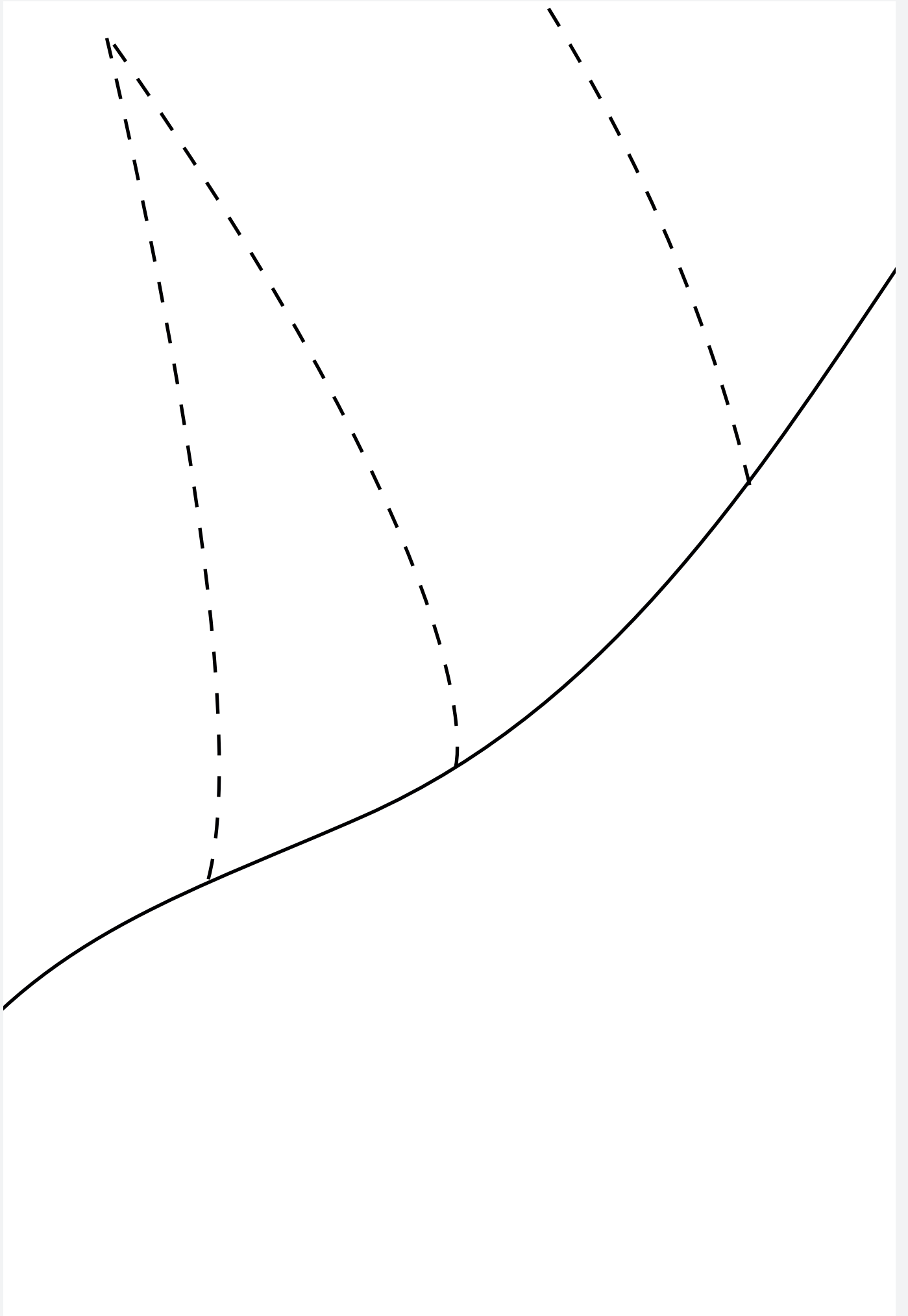
Use these templates to make the leaf quilt.



(dashed lines)









TEST SQUARE
10x10cm



LEAF QUILT
PIECE B
(Join along da

