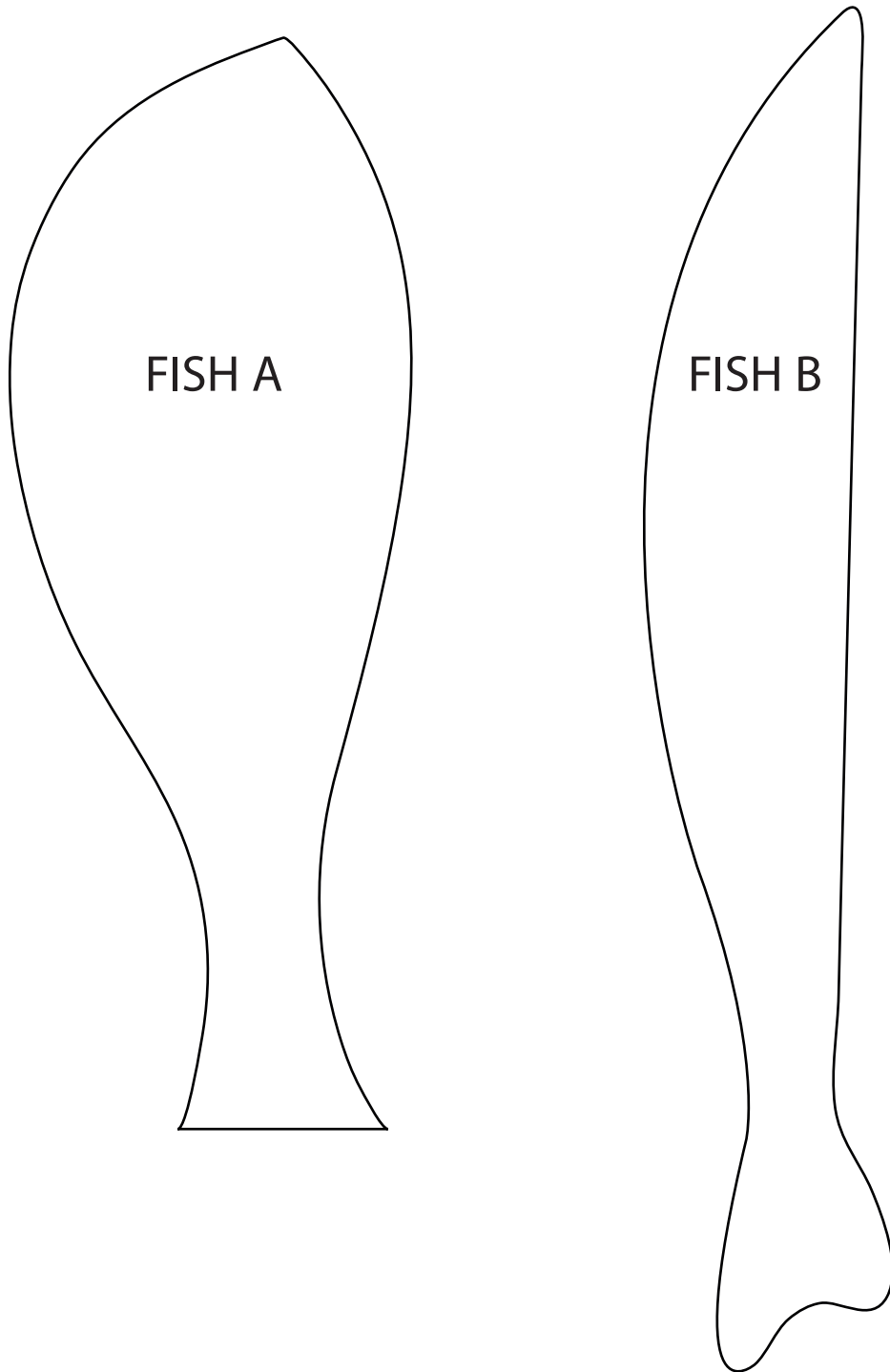


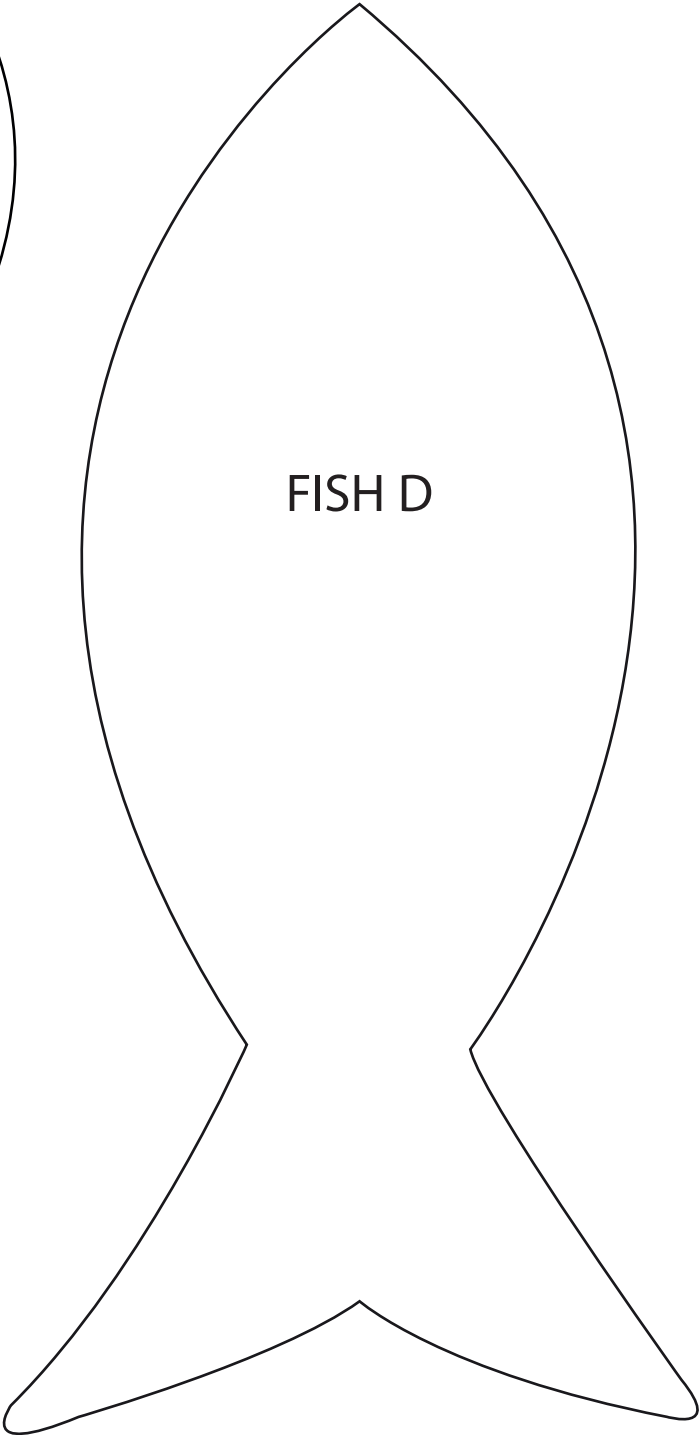
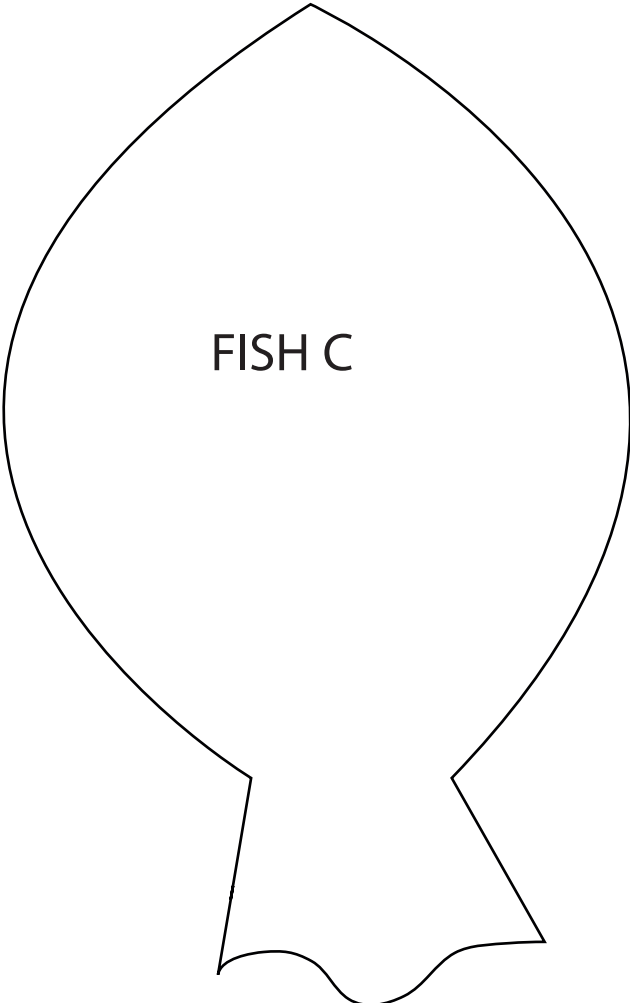
TEMPLATES

Here are the templates you will need to make some of the projects in *Simply Sewing* issue 44.

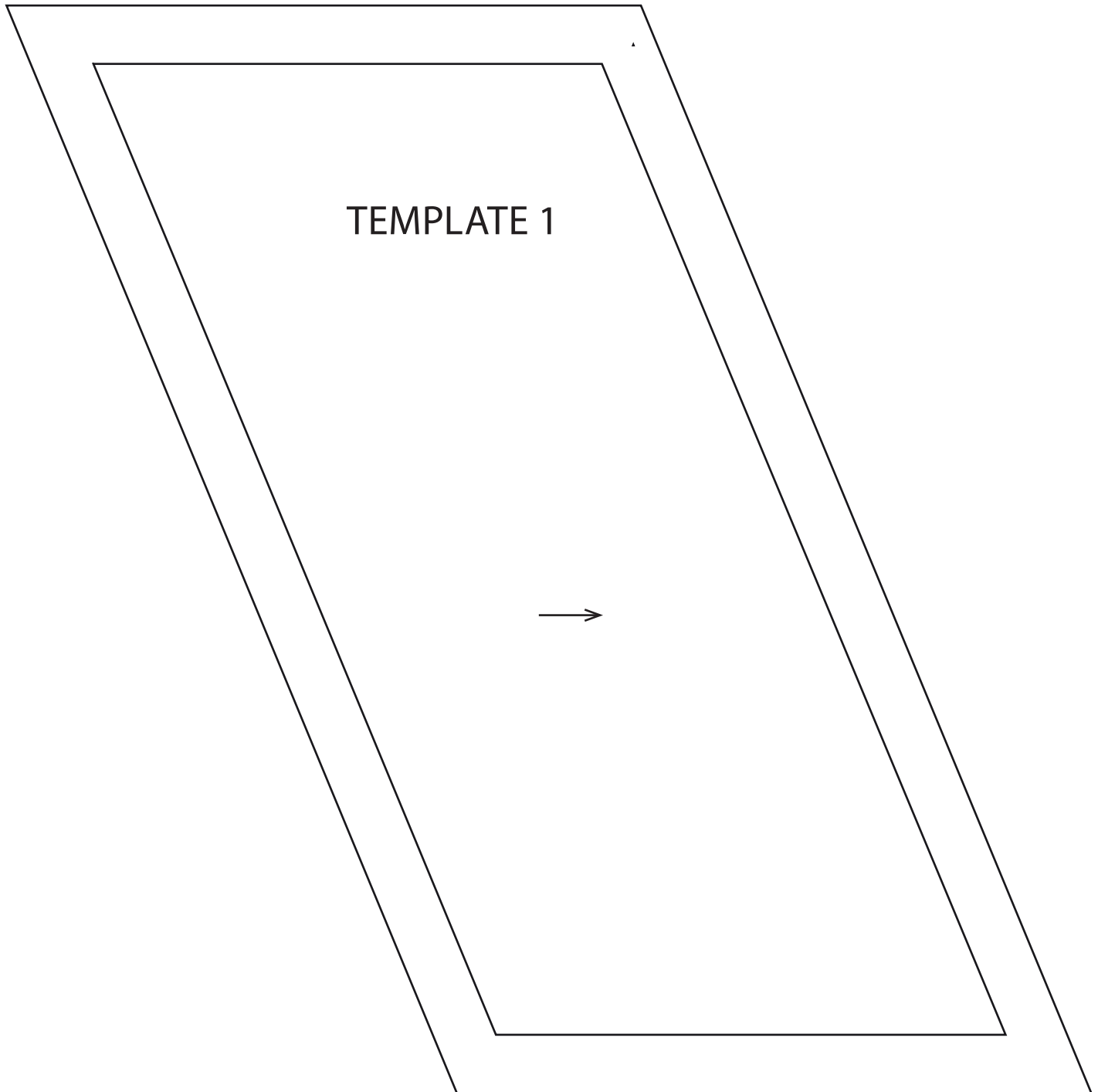
FISH GAME



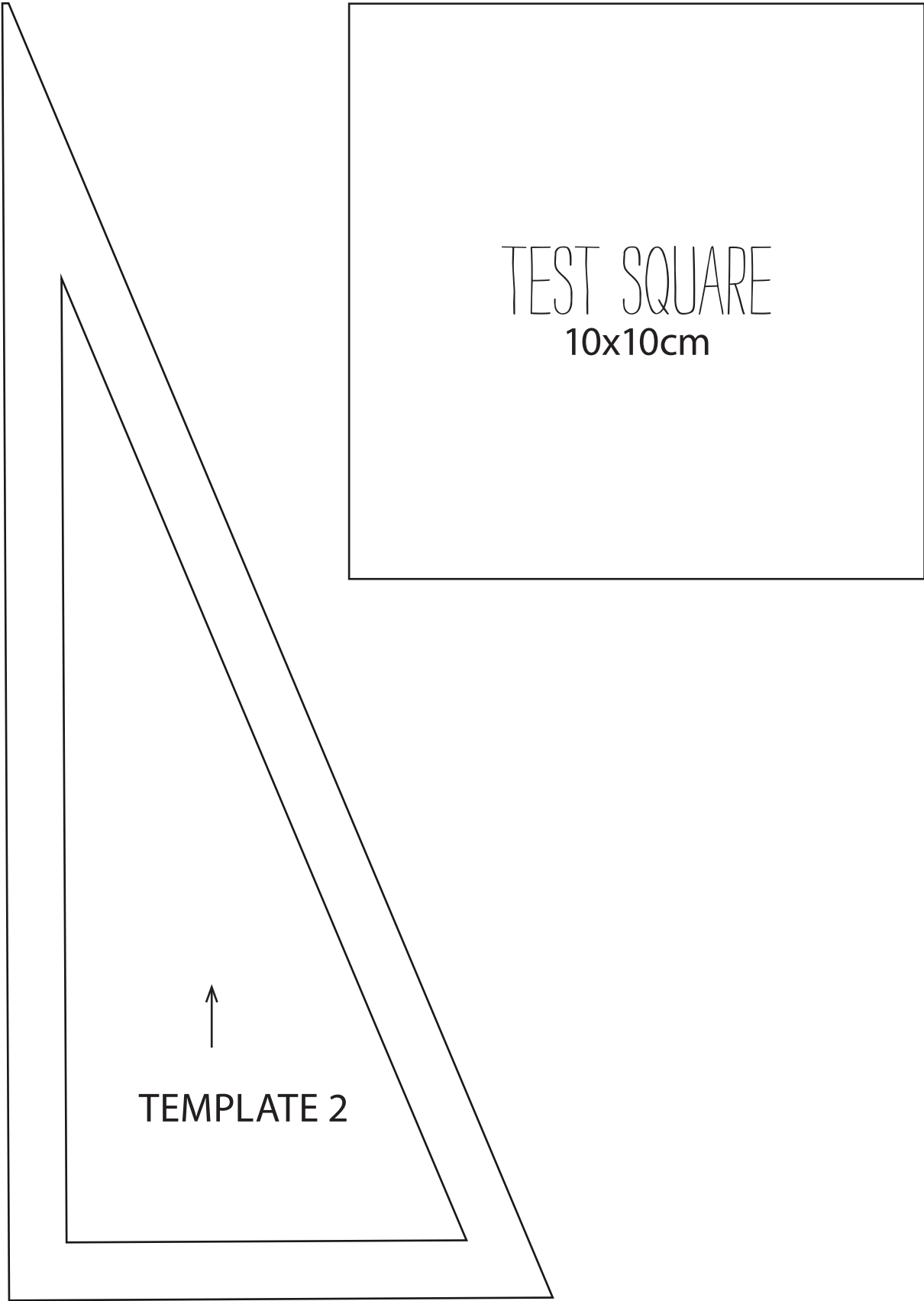
FISH GAME



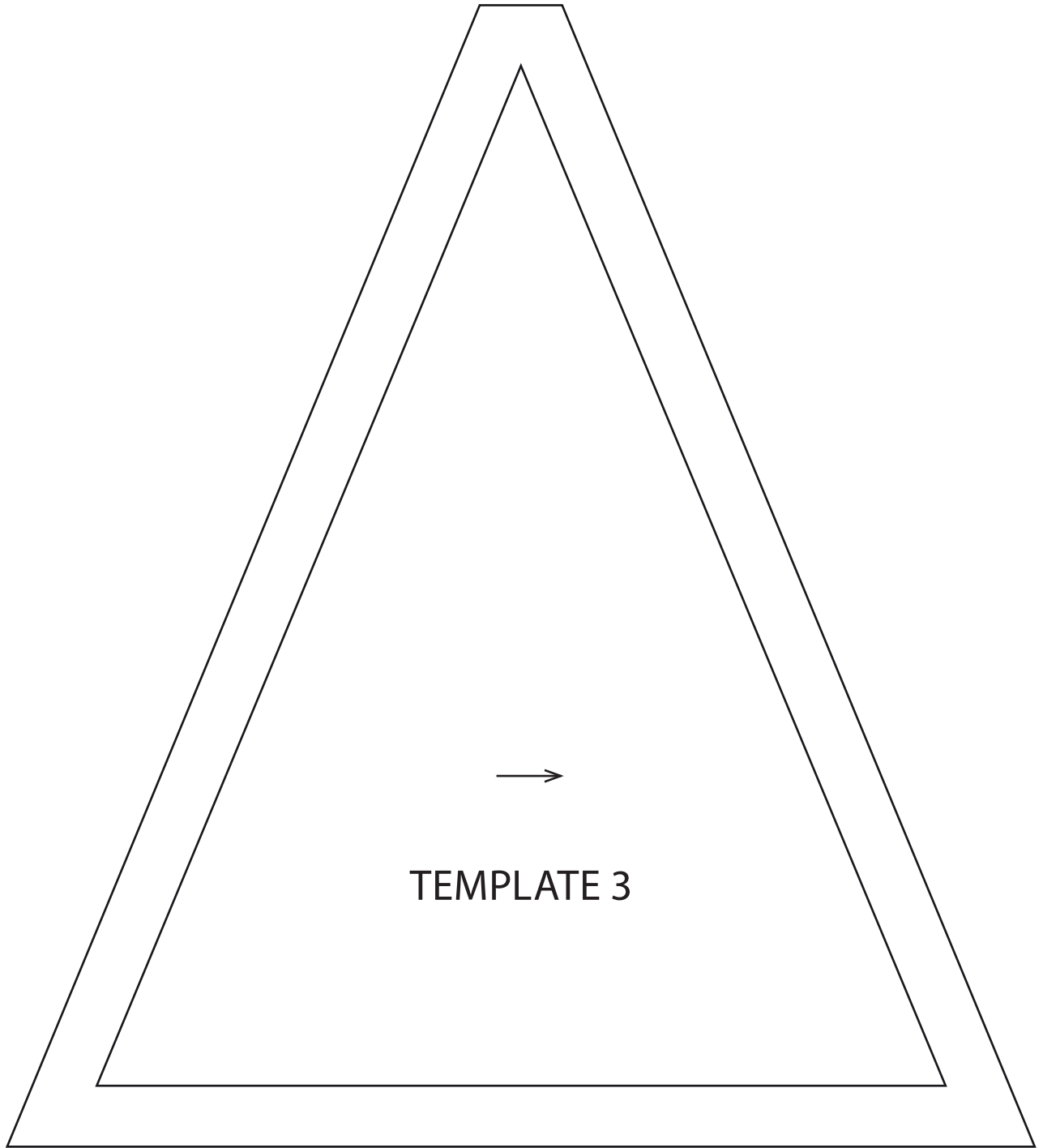
PATCHWORK BANNER



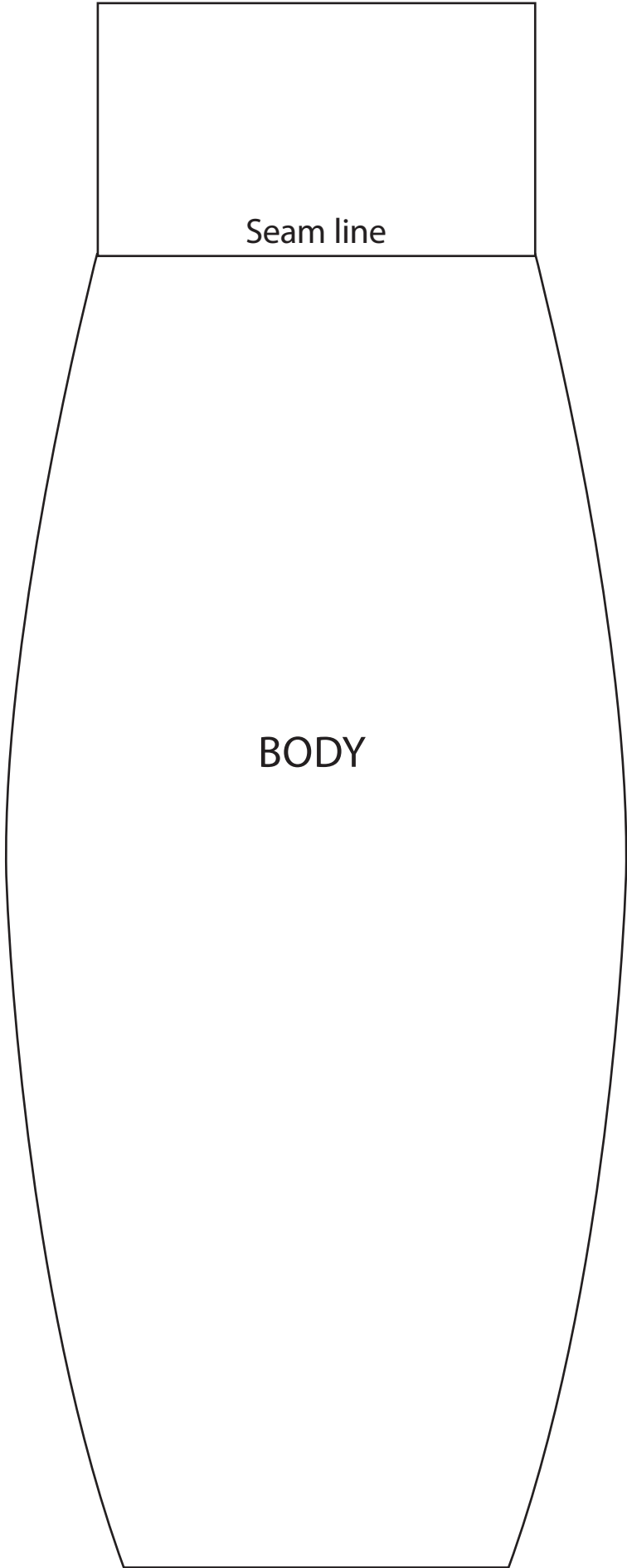
PATCHWORK BANNER



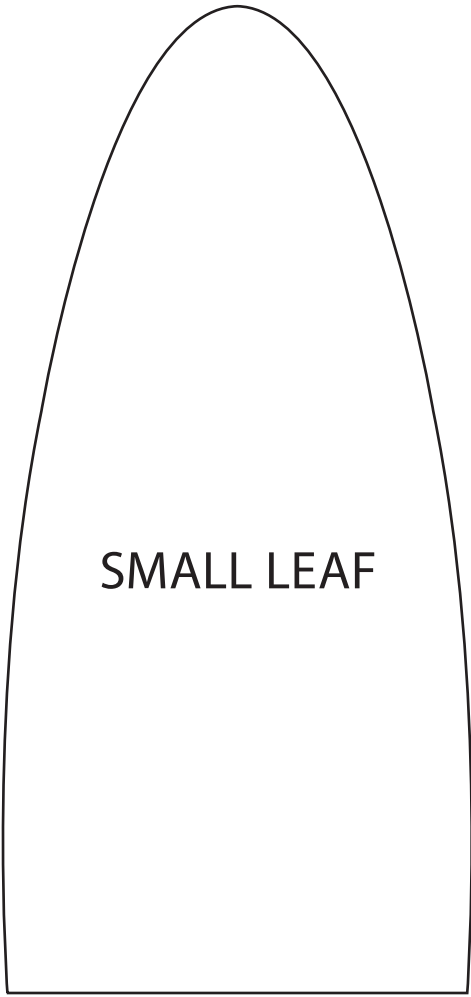
PATCHWORK BANNER



PINEAPPLE
DOORSTOP



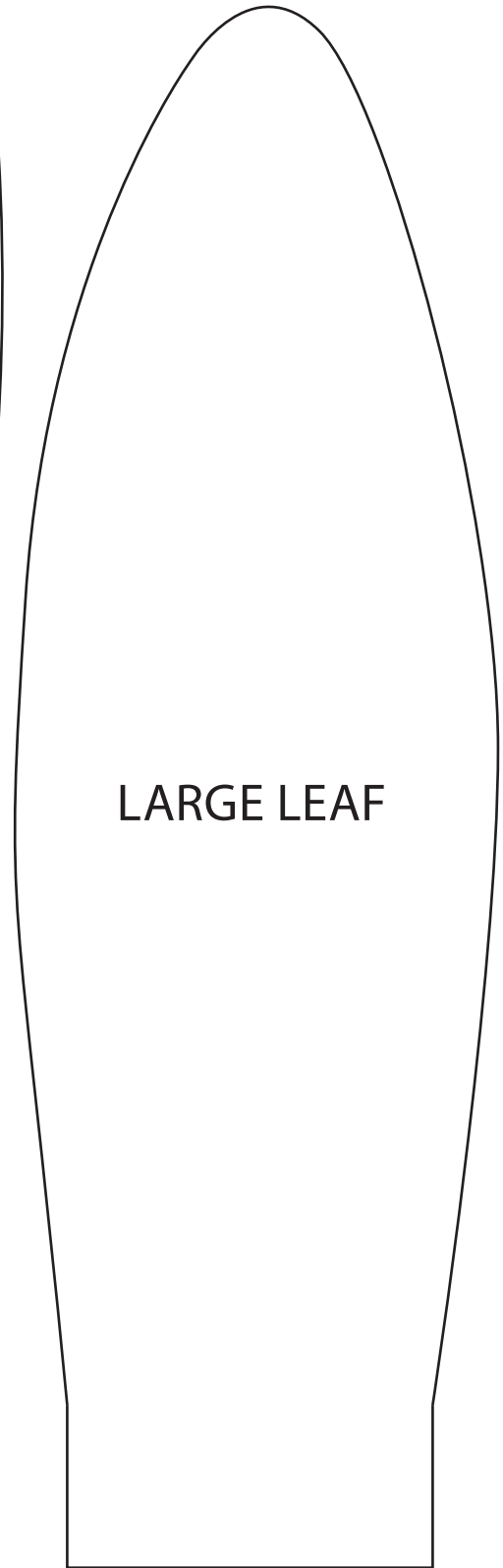
PINEAPPLE
DOORSTOP



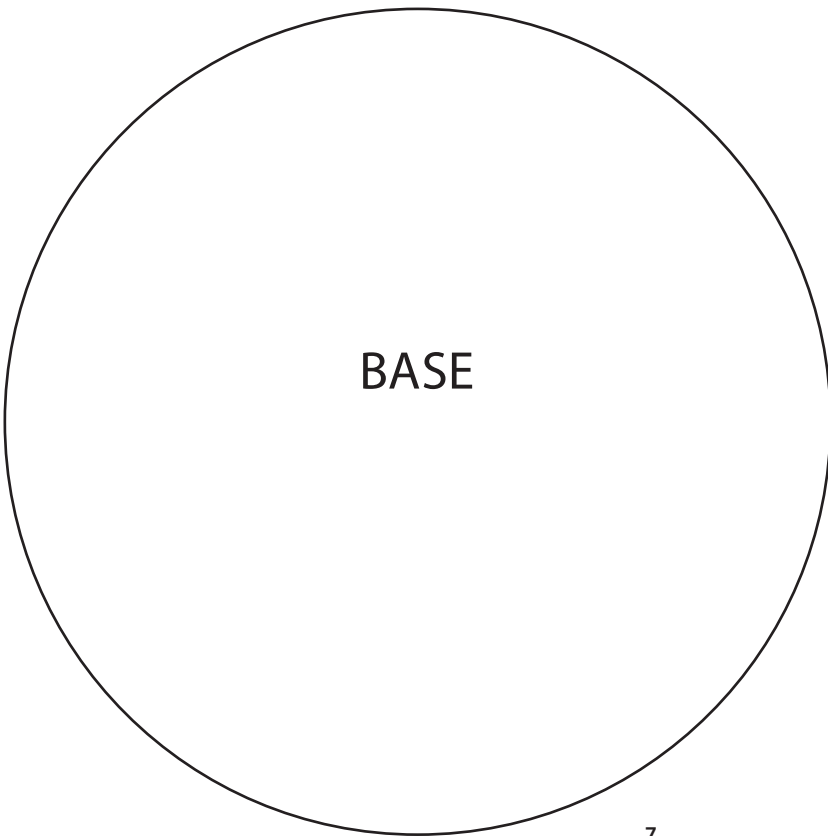
SMALL LEAF



MEDIUM LEAF

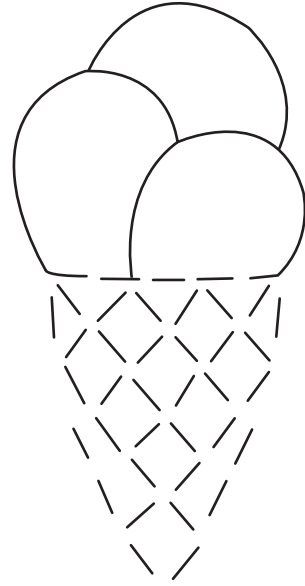


LARGE LEAF



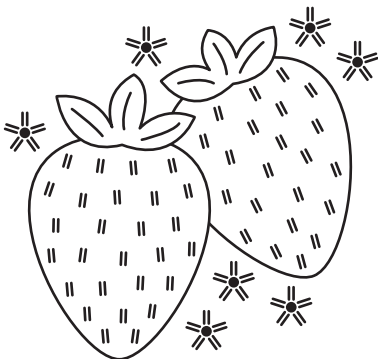
BASE

WORKSHOP
ICE CREAM

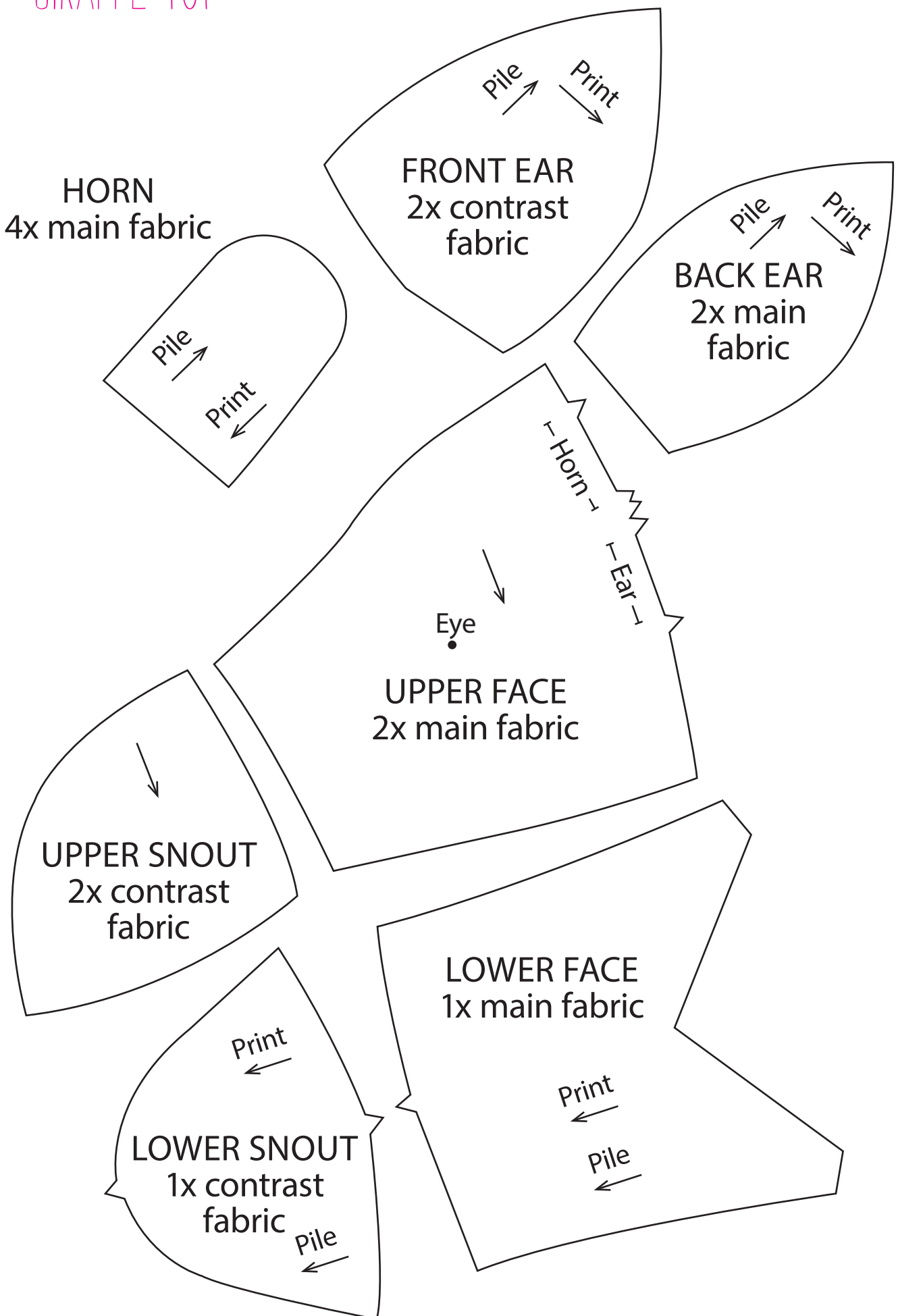


QUICK FIX
EMBROIDERED HAT

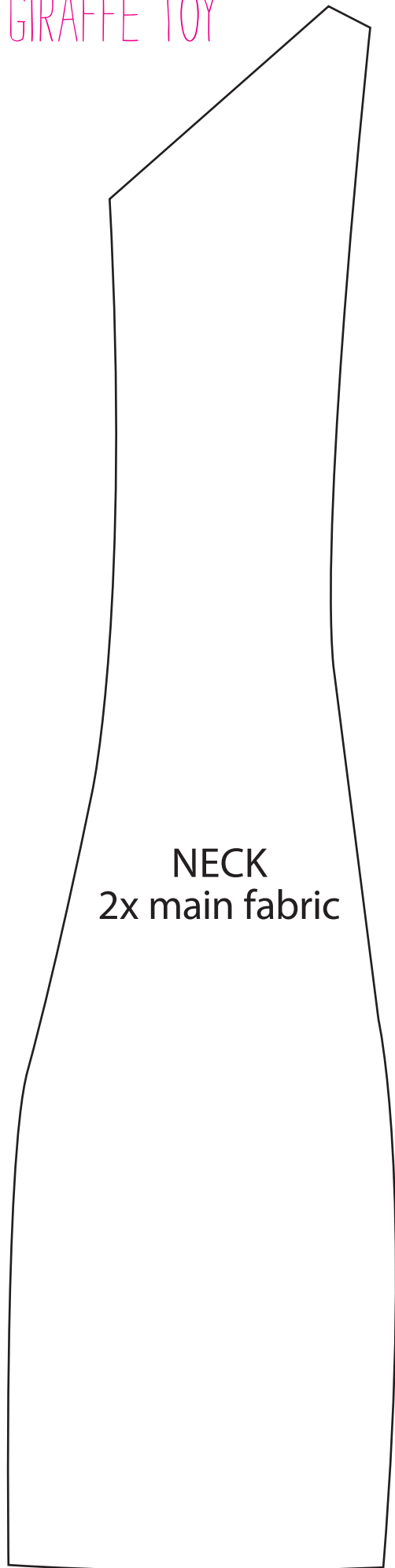
STITCH
JAM POT COVER



GIRAFFE TOY



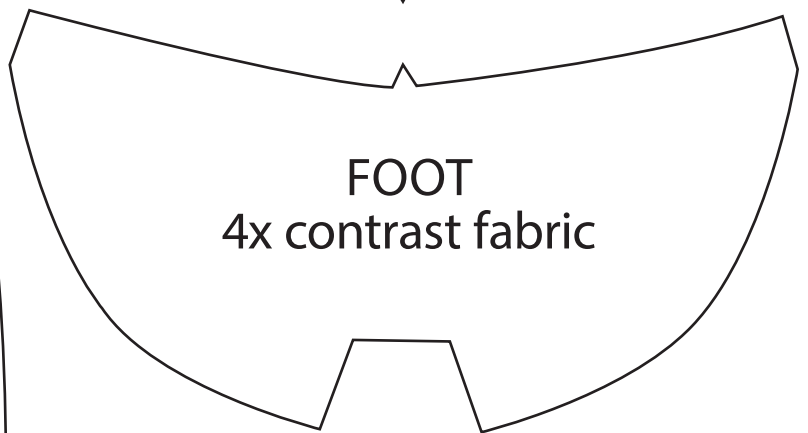
GIRAFFE TOY



NECK
2x main fabric

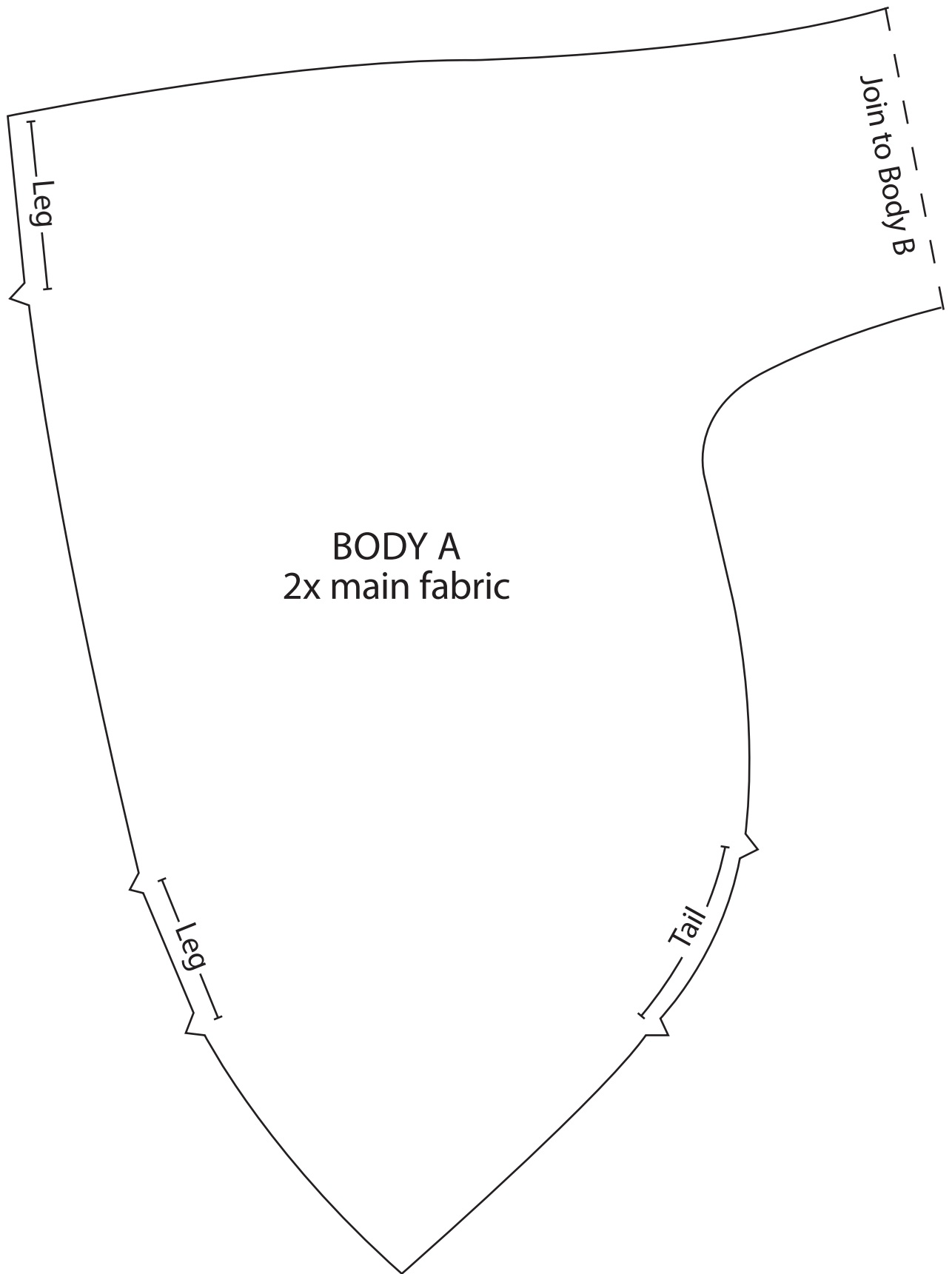


LEG
4x main fabric

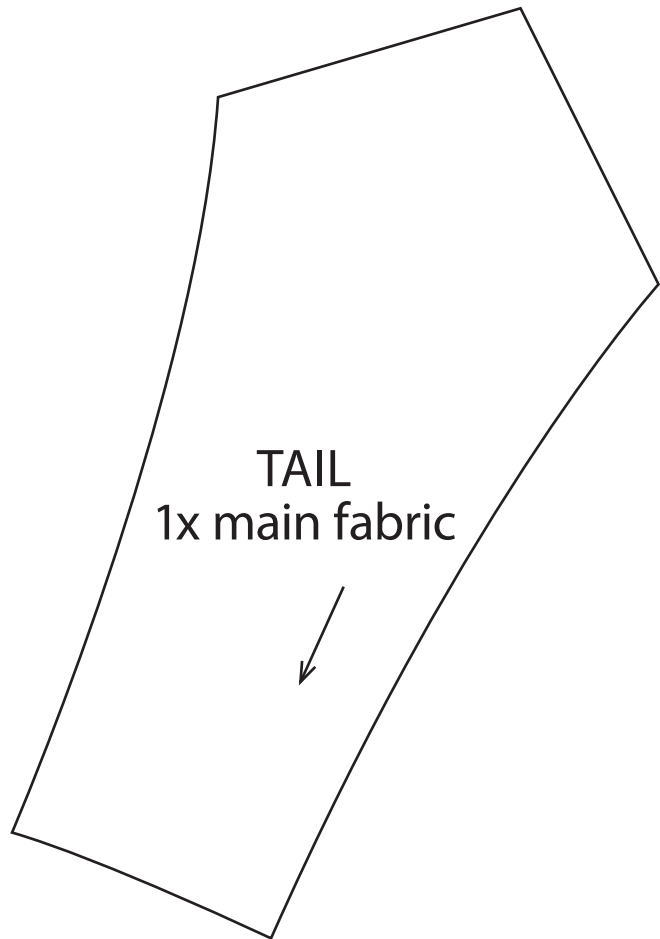
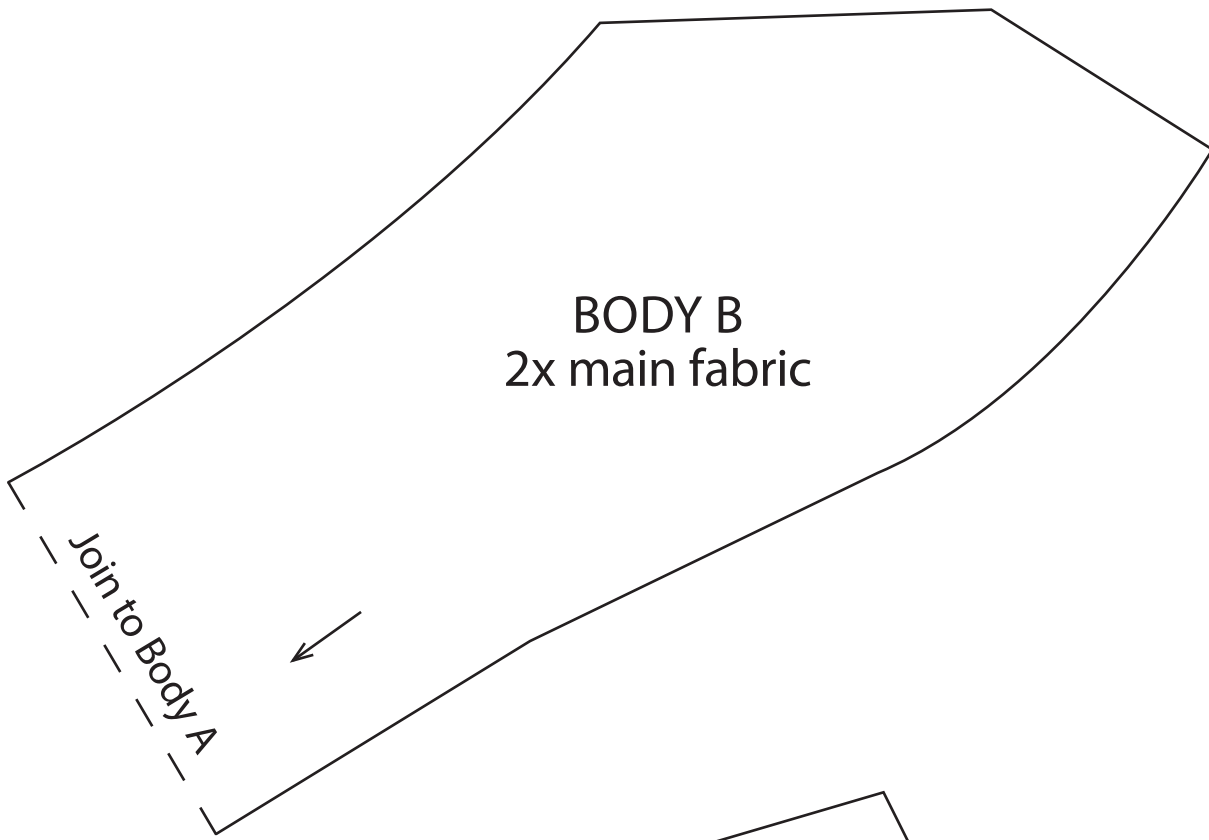


FOOT
4x contrast fabric

GIRAFFE TOY



GIRAFFE TOY



GIRAFFE TOY

