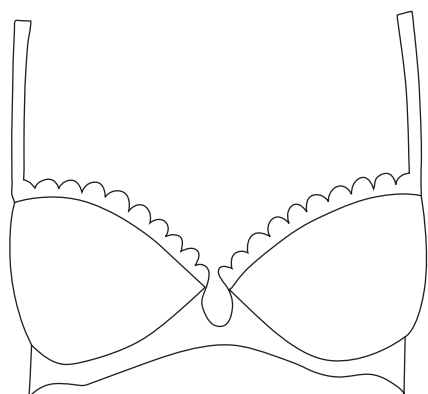


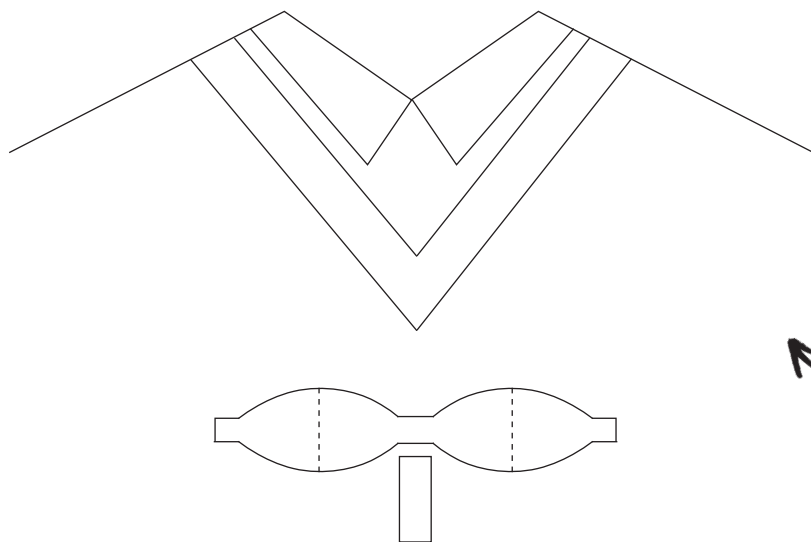
Templates

Photocopy and cut out these templates, or download and print them from our website, and use to make this issue's projects



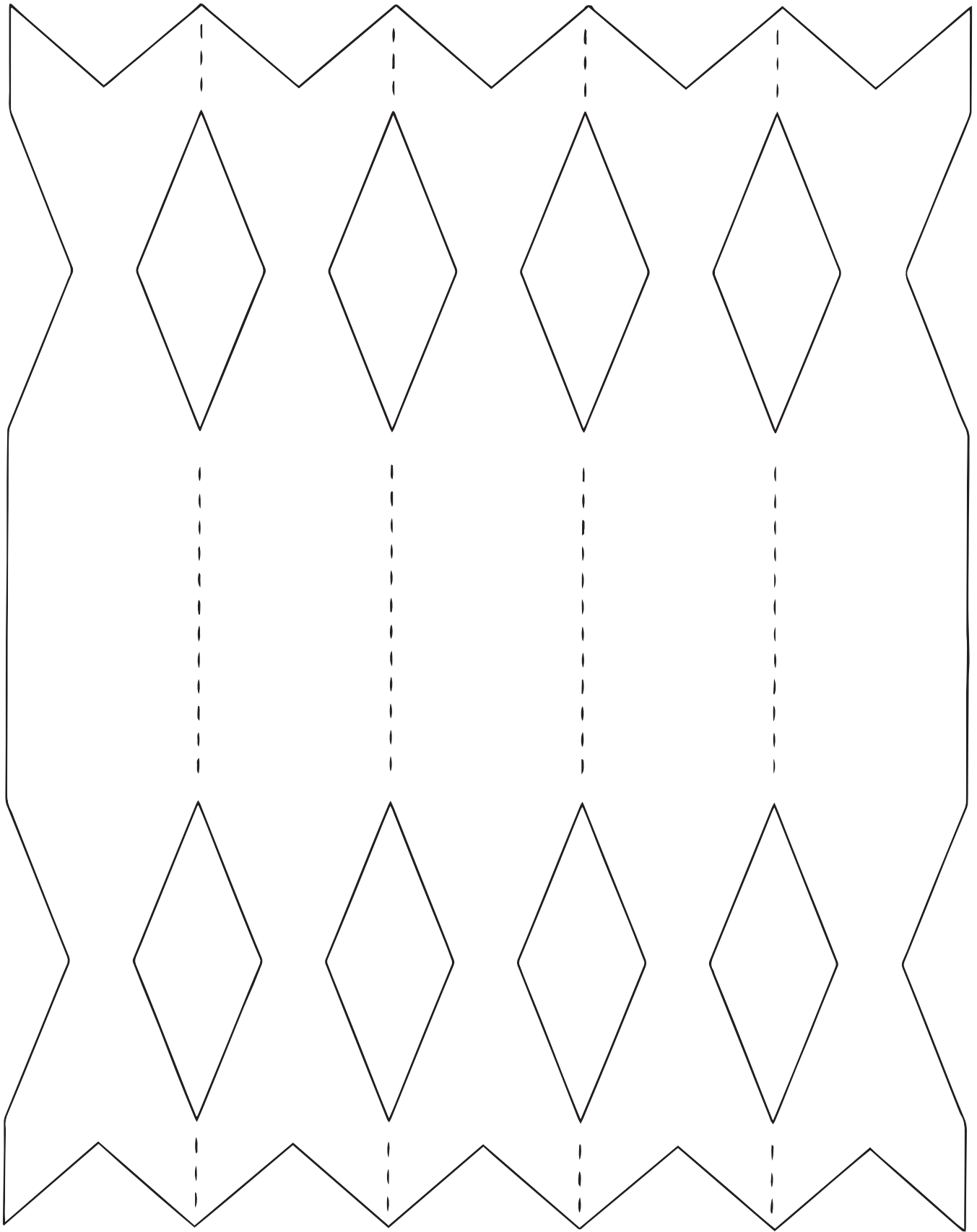
Q&A p69

Trace or photocopy the template at 100% (actual size) to make Dorothy Wood's bra card.



Cards for men p53

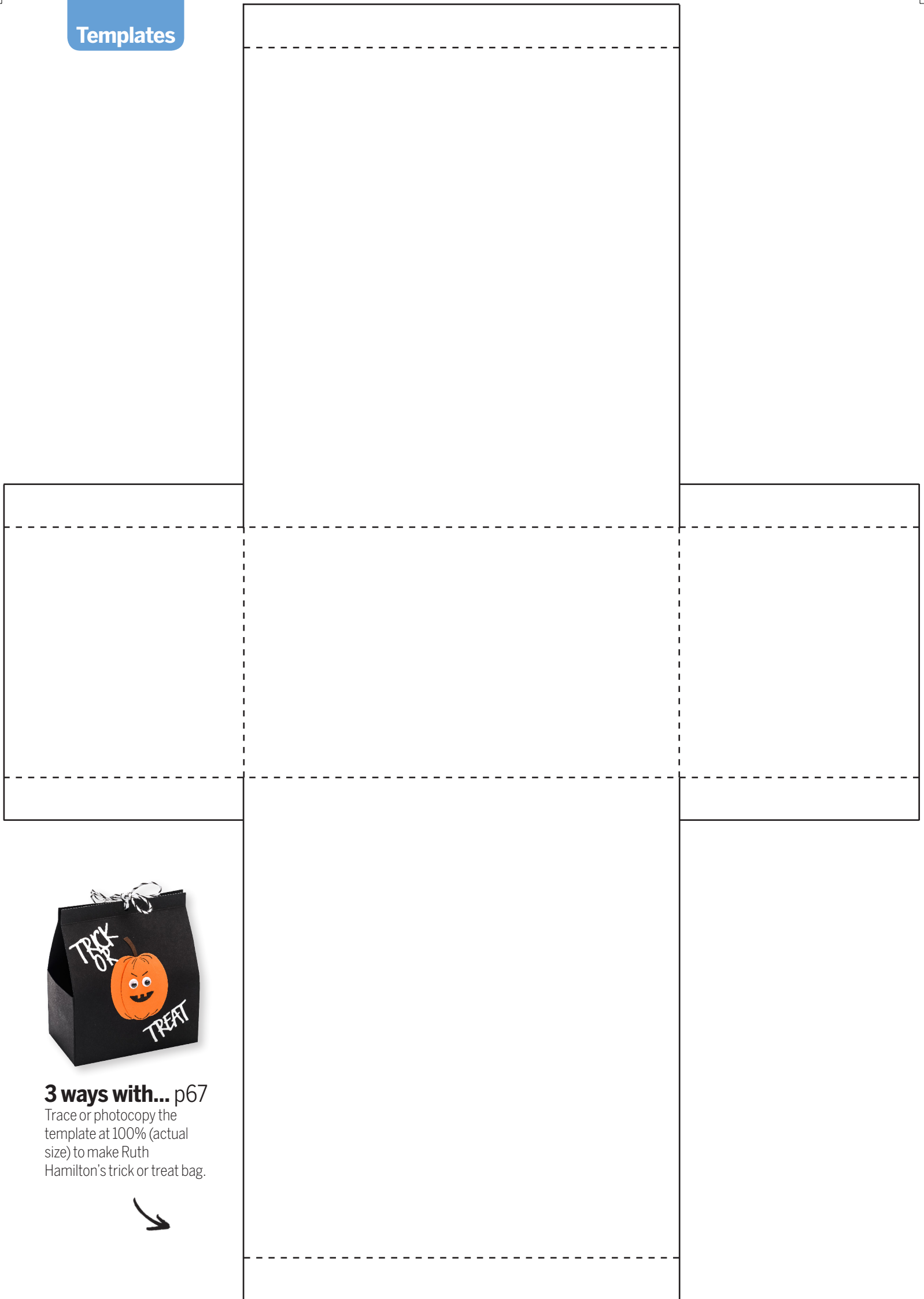
Trace or photocopy the template at 100% (actual size) to make Dorothy Wood's Christmas jumper card.



Home sweet home p64

Trace or photocopy the template at 100% (actual size) to make Hazel France's Halloween crackers.

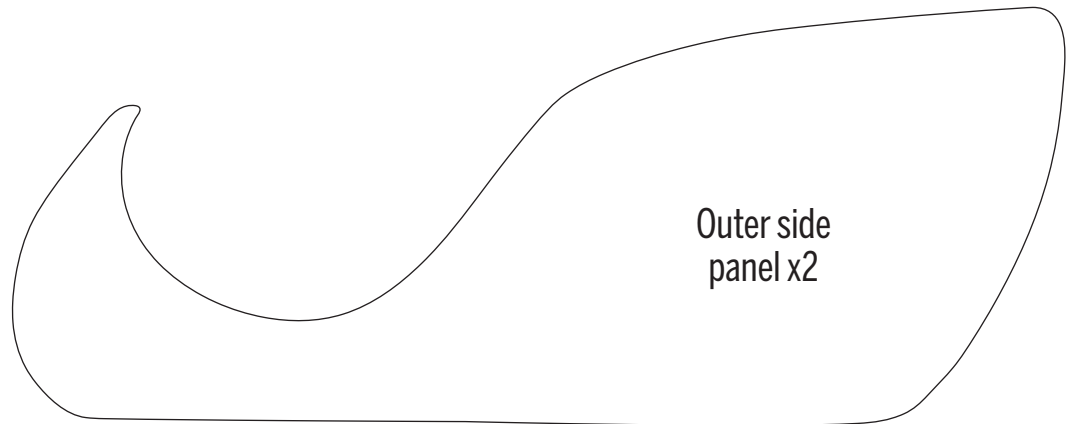
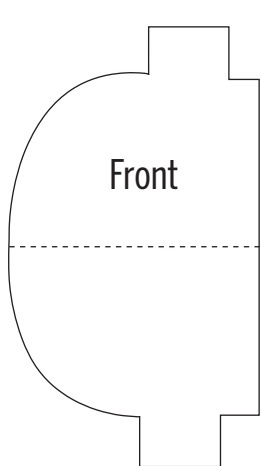
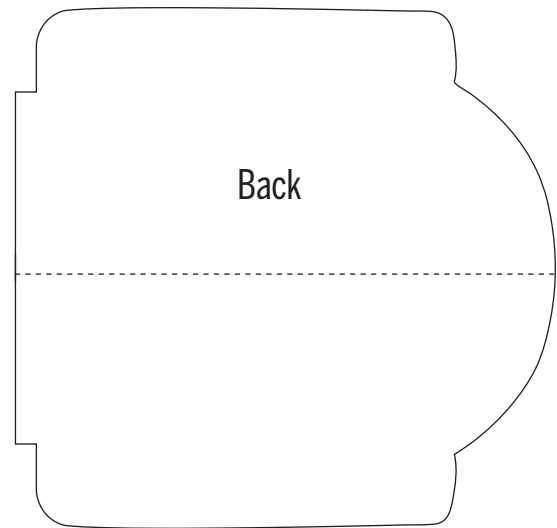
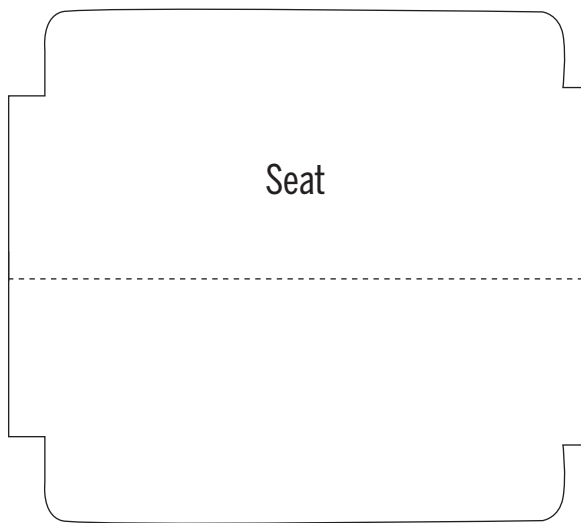
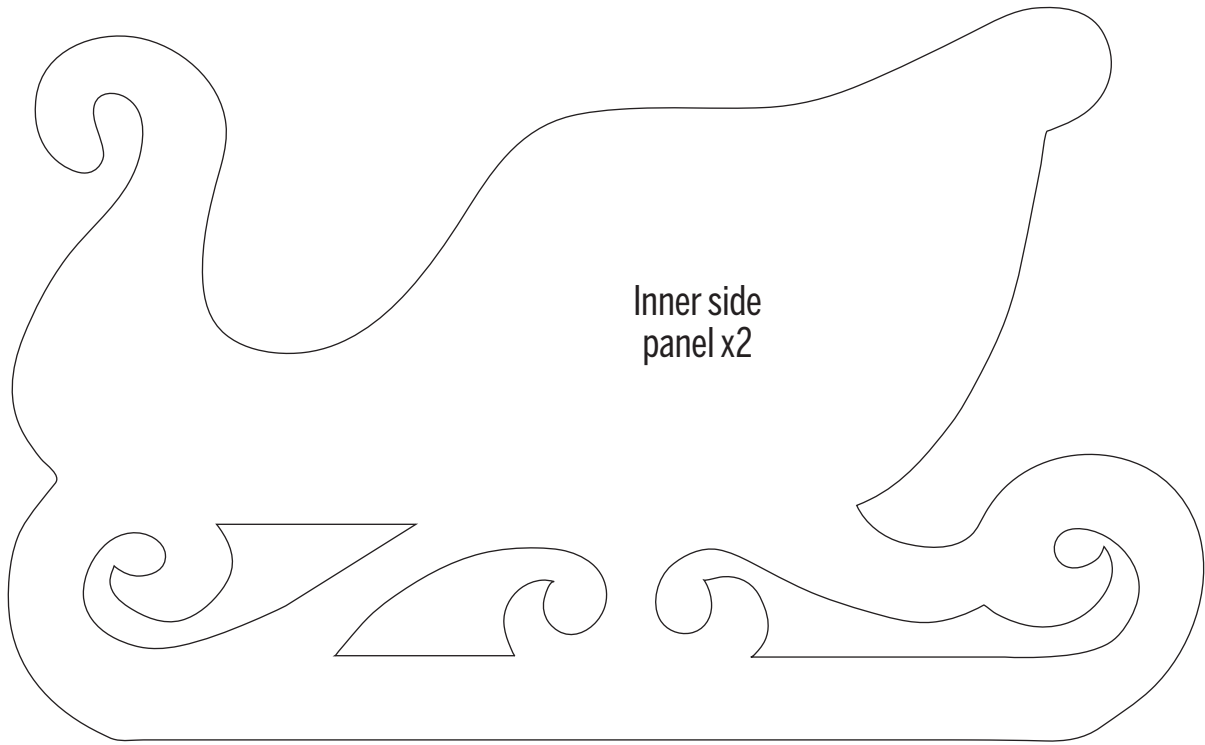




3 ways with... p67

Trace or photocopy the template at 100% (actual size) to make Ruth Hamilton's trick or treat bag.

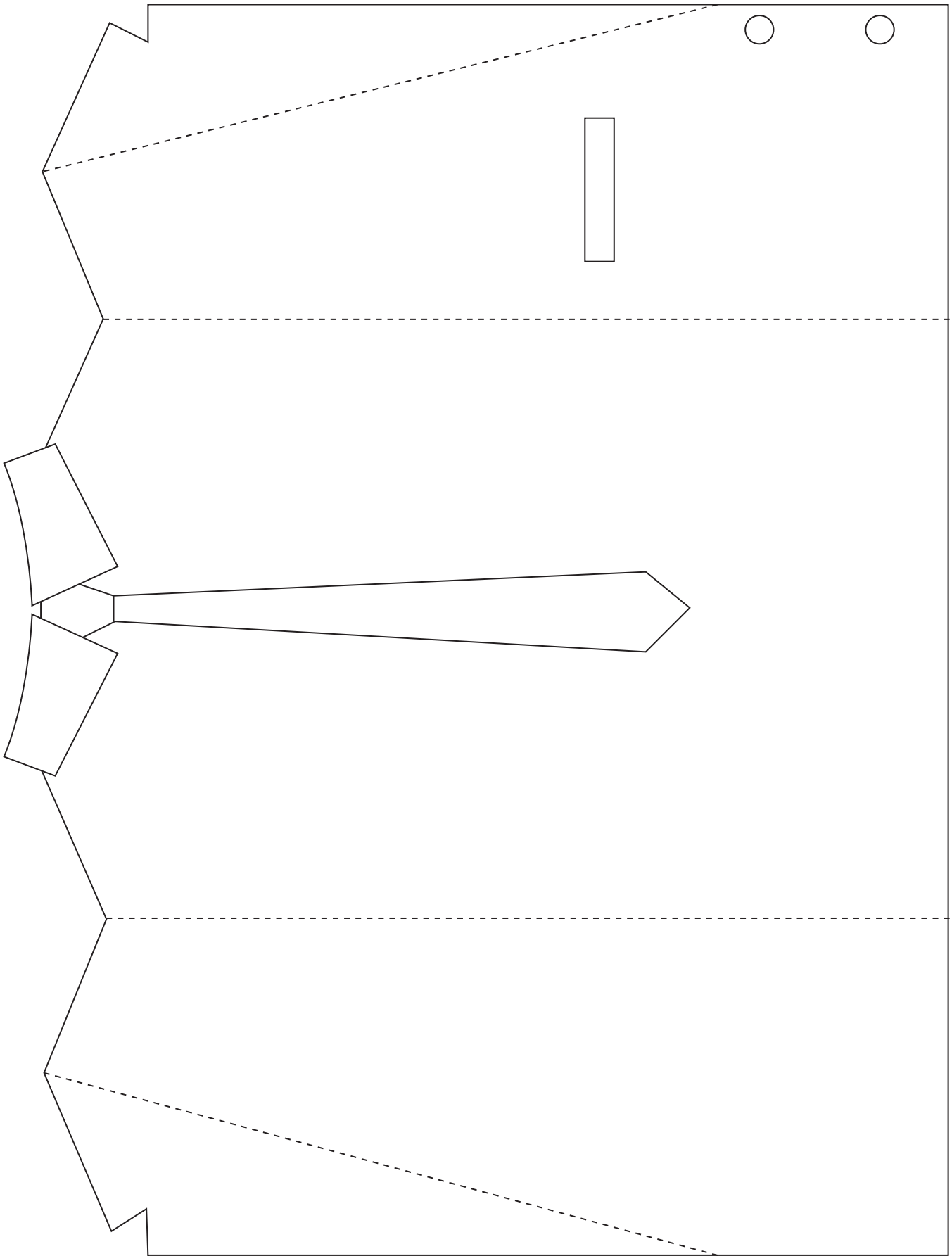




Something for the weekend p72

Trace or photocopy the template at 100% (actual size) to make Sue Hughes' 3D Santa's sleigh.

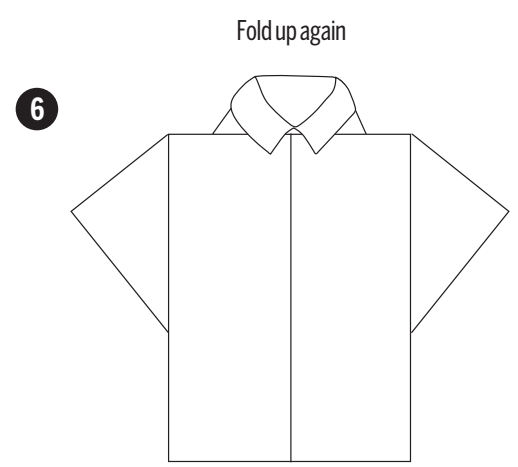
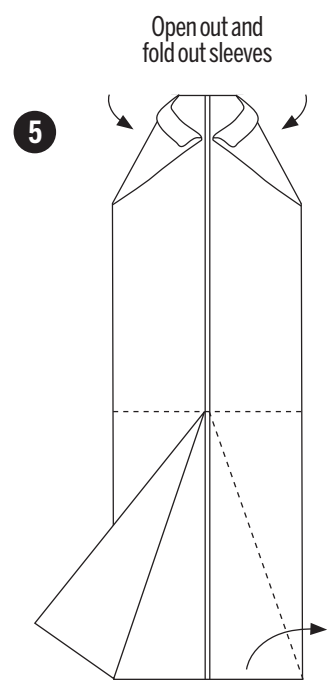
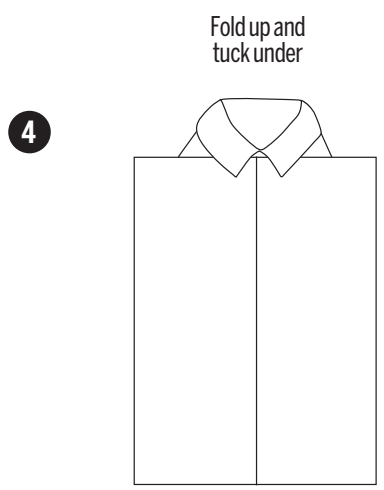
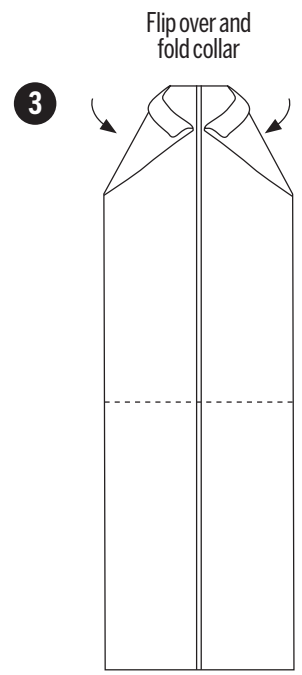
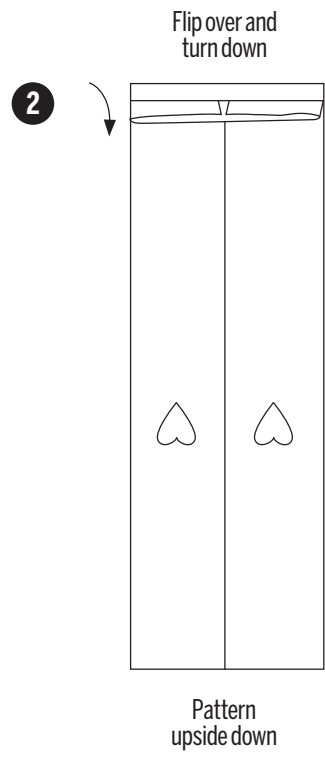
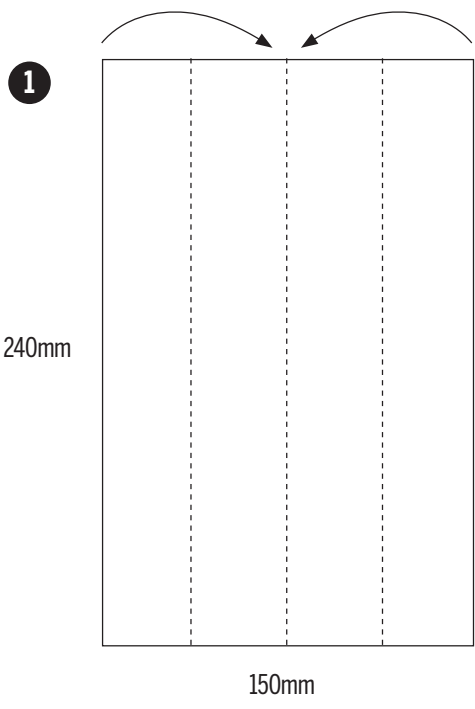




Cards for men p53

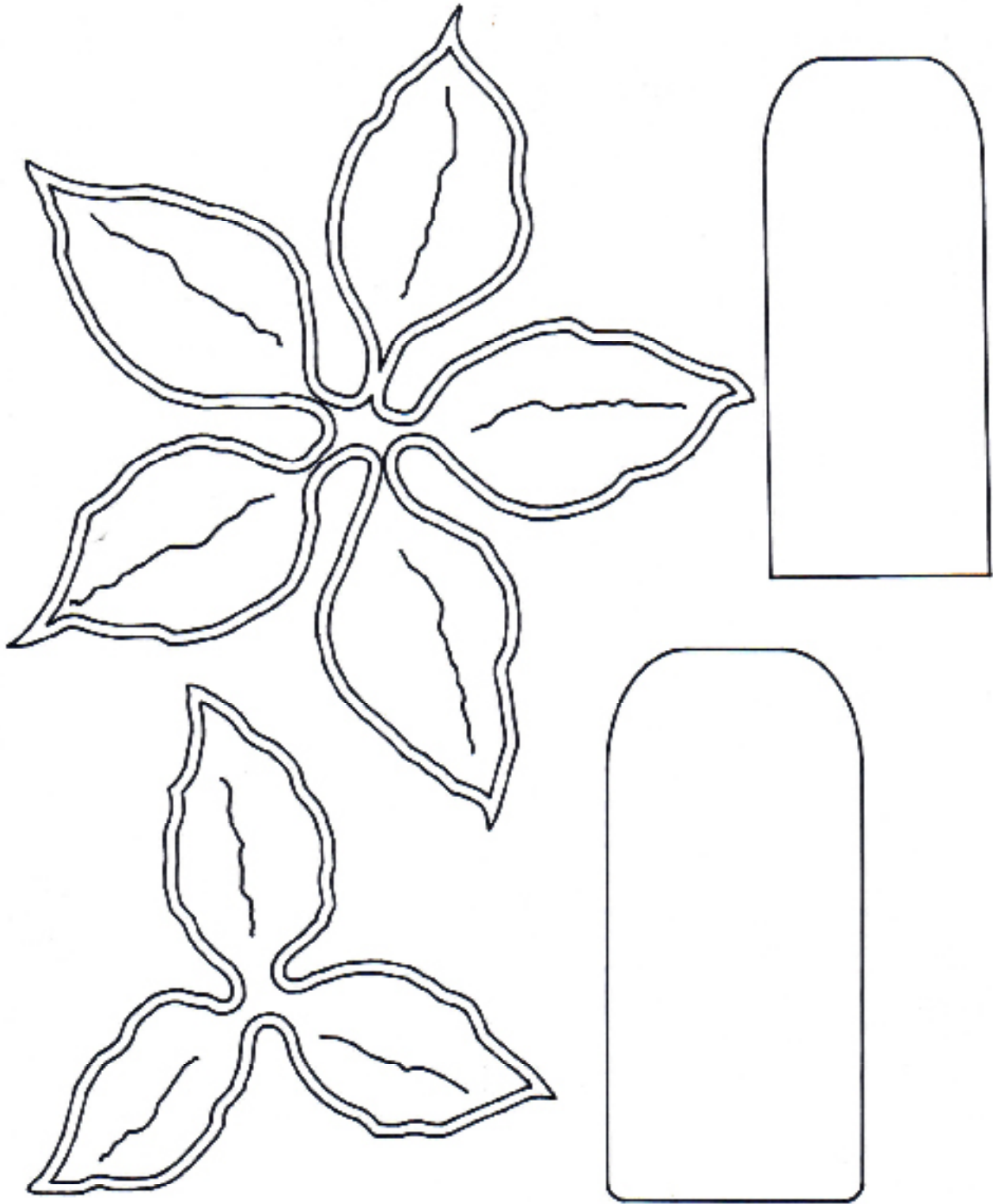
Trace or photocopy the template at 100% (actual size) to make Dorothy Wood's shirt card.





Cards for men p53
Follow these folding instructions to make Dorothy Wood's flamingo-print card.





Brother Scan N Cut p80

Trace or photocopy the template at 100% (actual size) to make Angela Dodson's poinsettia card.

