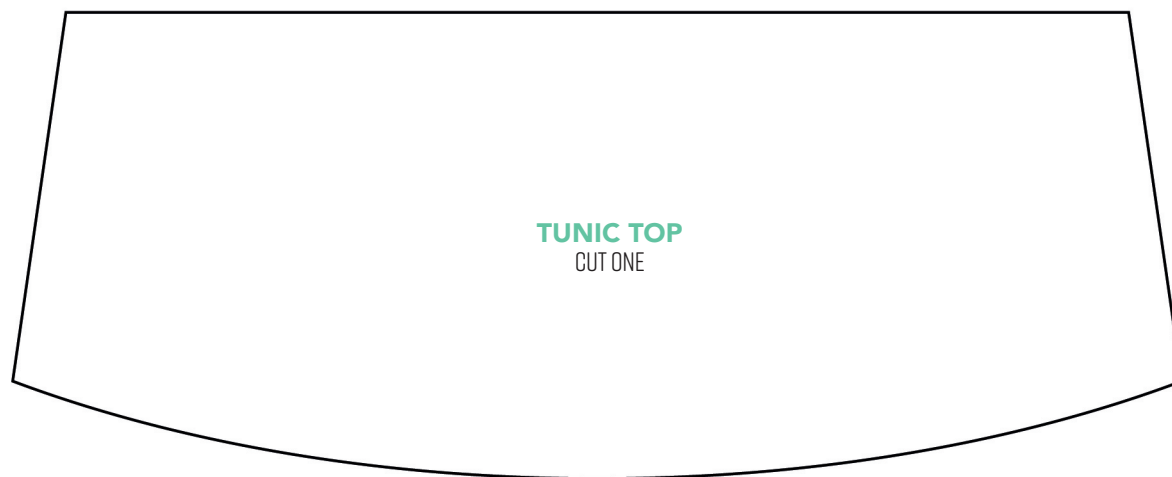
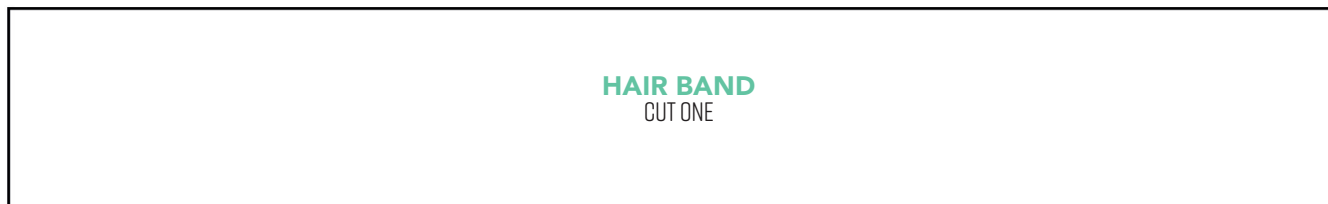


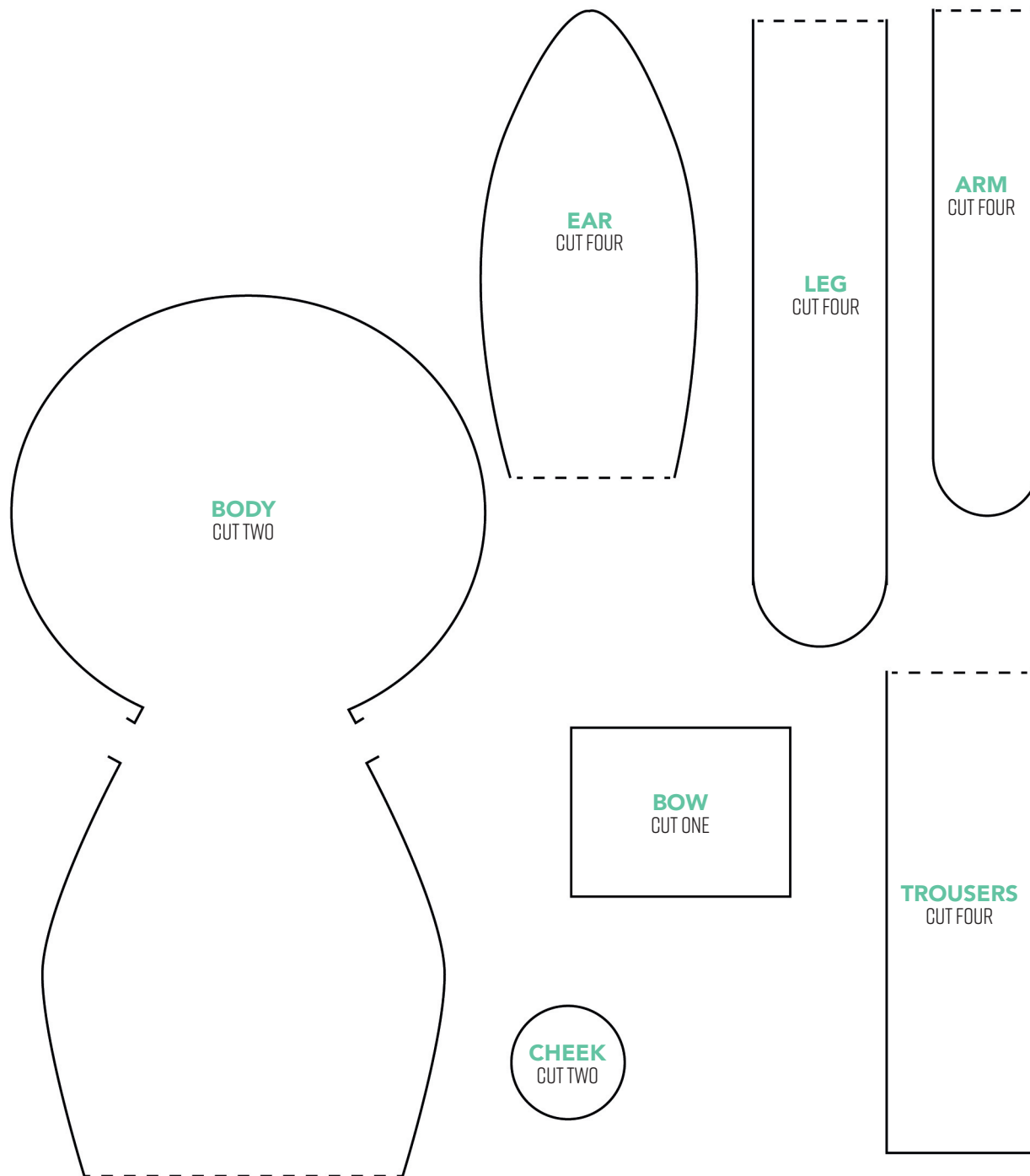


# TEMPLATES

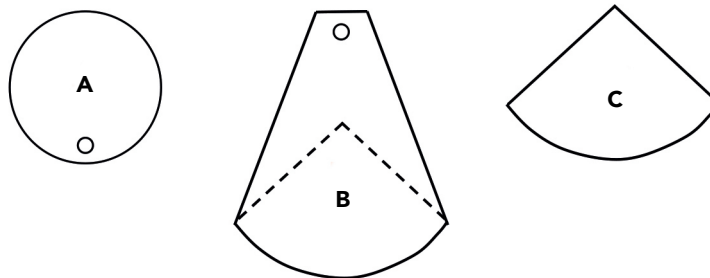
ISSUE 105

Thank you for making this project from *Mollie Makes*. We have requested specific permission from designers so that you can recreate and sell selected projects from this issue on the following conditions. Just look for this icon.  You can individually hand-make as many as you wish of our labelled projects, to sell either for yourself, your local event or to raise money for charity. You cannot sell in shops (online or otherwise) and you cannot go into mass production, which means you cannot manufacture in large quantities, especially by machine. Selling photocopies of any part of this magazine, its kits or supplements is prohibited. We don't mind if you make a copy of the templates for a friend but please do not make any part of the templates or instructions available to others through your website or a third party website, or copy it multiple times without our permission. Please respect one another's copyright.

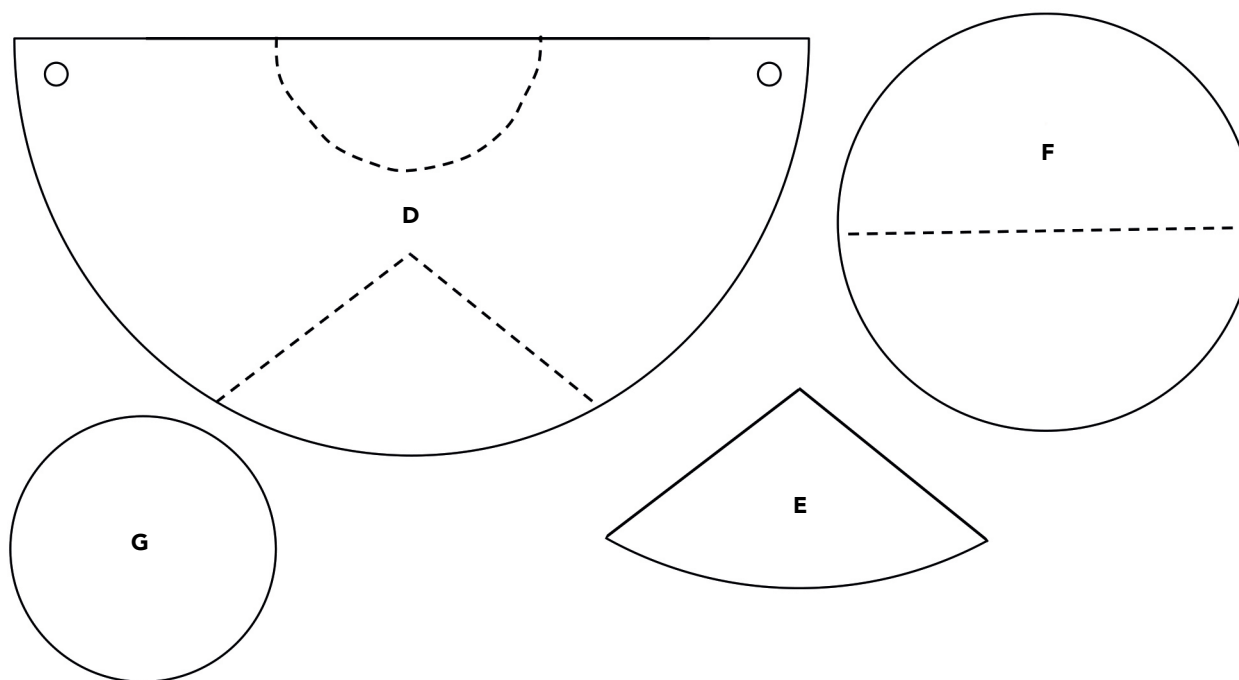




EARRING TEMPLATES



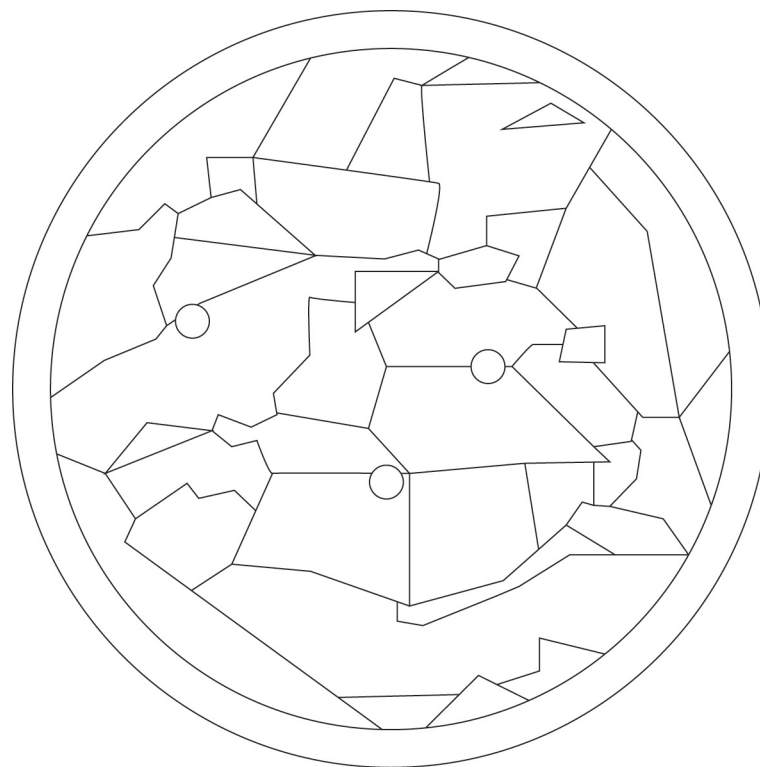
NECKLACE TEMPLATES



## ABSTRACT EMBROIDERY

BY SOPHIE GIBBONS

PAGE 77



Thank you for making this project from *Mollie Makes*. We have requested specific permission from designers so that you can recreate and sell selected projects from this issue on the following conditions. Just look for this icon.  You can individually hand-make as many as you wish of our labelled projects, to sell either for yourself, your local event or to raise money for charity. You cannot sell in shops (online or otherwise) and you cannot go into mass production, which means you cannot manufacture in large quantities, especially by machine. Selling photocopies of any part of this magazine, its kits or supplements is prohibited. We don't mind if you make a copy of the templates for a friend but please do not make any part of the templates or instructions available to others through your website or a third party website, or copy it multiple times without our permission. Please respect one another's copyright.