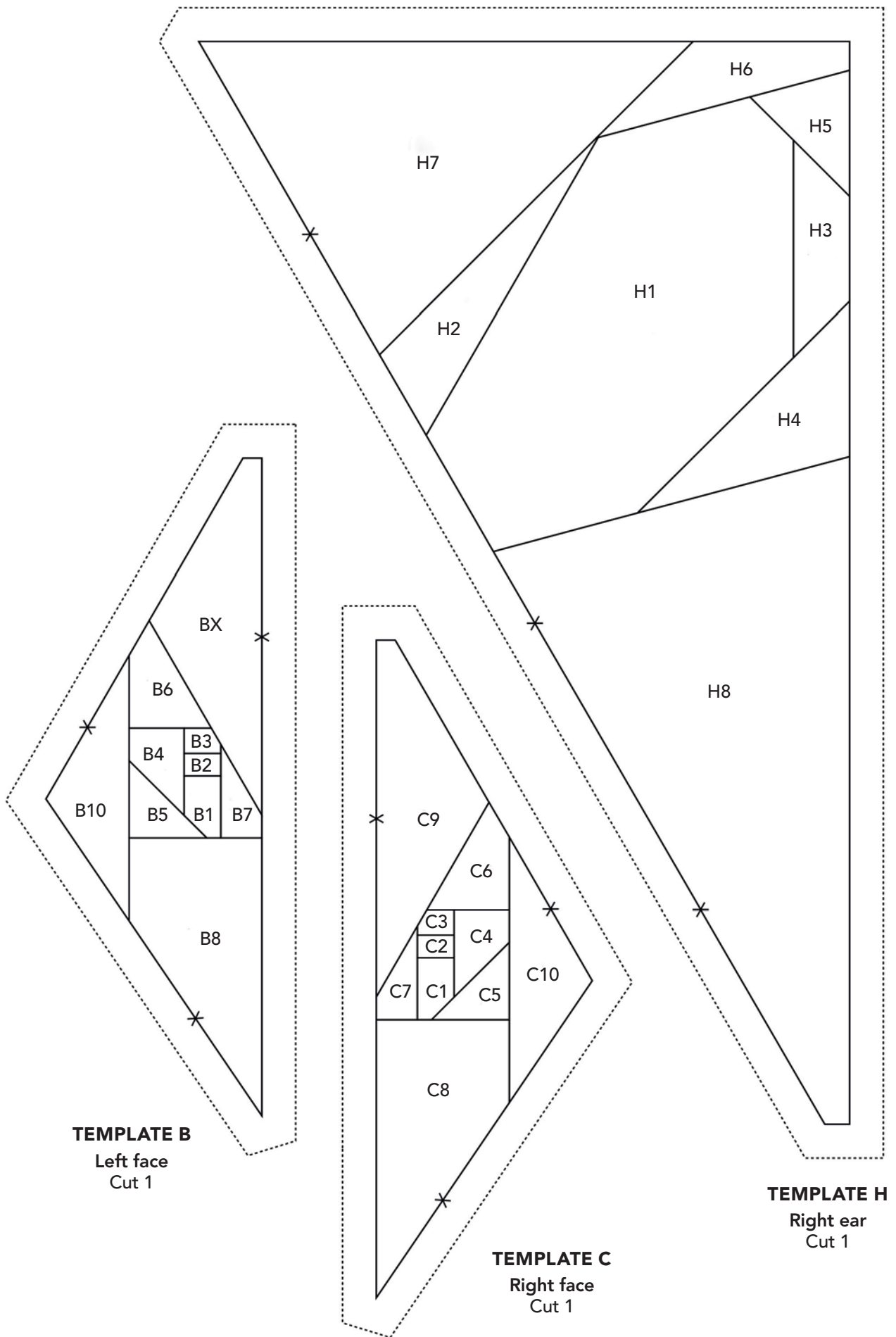


HOW TO PRINT THIS PATTERN

Print out this 12-page PDF on to A4 paper. Trim away the shaded border from each page and position the pages as below to assemble the pattern...

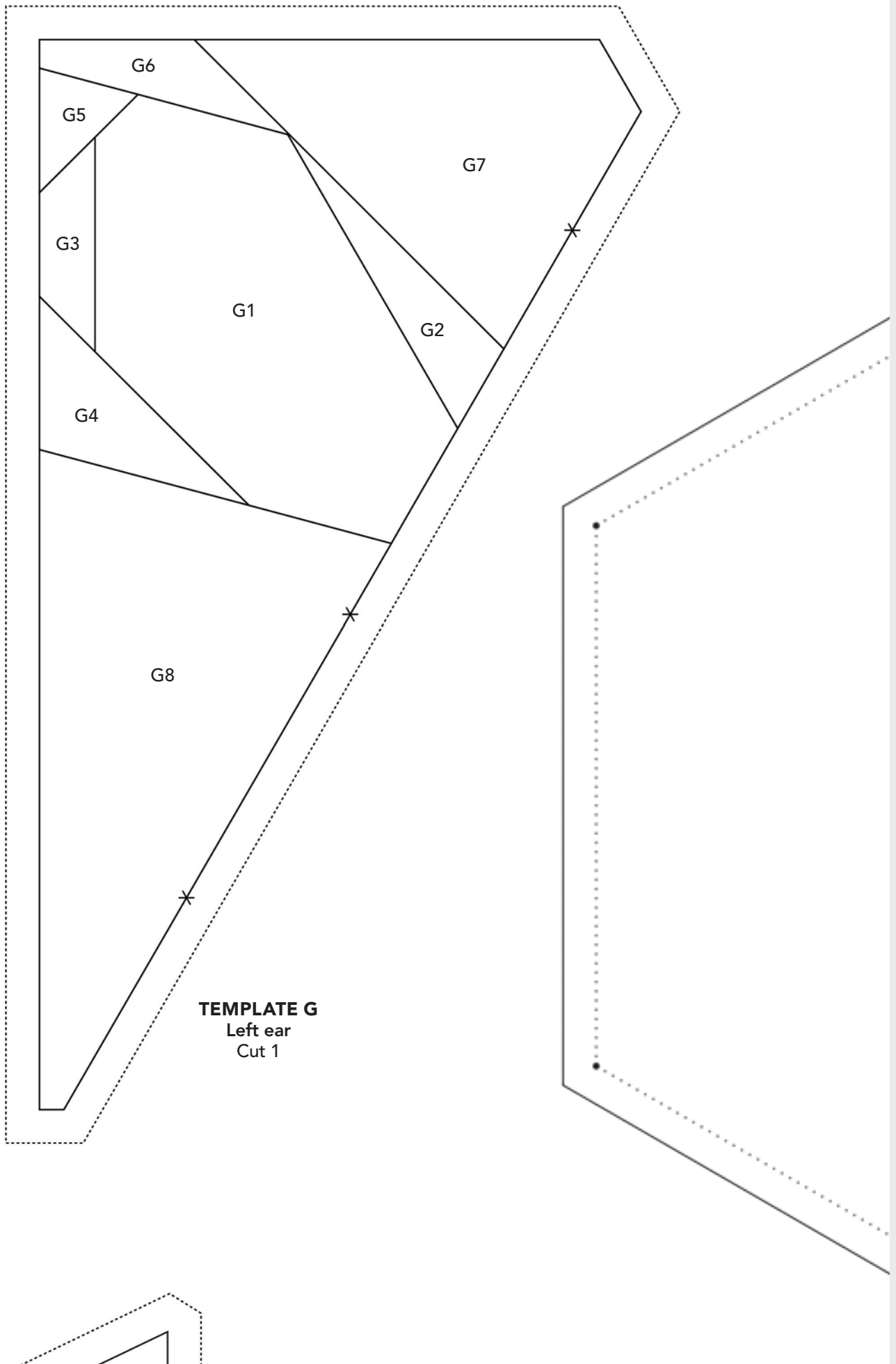
<p>1</p> <p>TEMPLATE B Left face Cut 1</p> <p>TEMPLATE C Right face Cut 1</p> <p>TEMPLATE H Right face Cut 1</p>	<p>2</p> <p>TEMPLATE G Left face Cut 1</p>	<p>QUILTED CUSHION BY LAURA PRITCHARD PAGE 77</p> <p>3</p> <p>PATCHWORK QUILT BY LAURA PRITCHARD PAGE 109</p>	<p>4</p> <p>Placemat Cut 1</p>
<p>5</p> <p>TEMPLATE A New Cut 1</p> <p>TEMPLATE E Cut 1</p> <p>TEMPLATE F Cut 1</p> <p>PATCHWORK WALL HANGING BY JOANNE HART PAGE 16</p>	<p>6</p> <p>TEMPLATE D Cut 1</p> <p>TEMPLATE G Cut 1</p> <p>Mollie MAKES QUILTING PATCHWORK • APPLIQUÉ • GIFTS • HOME DÉCOR</p> <p>Use these templates to make the patchwork deer wall hanging, quilted cushion, patchwork quilt, patchwork placemats, oven gloves, patchwork pencil case and geometric patchwork wall hanging.</p>	<p>7</p> <p>Section 1 Cut 2</p> <p>Section 2 Cut 2</p> <p>Section 3 Cut 2</p>	<p>PATCHWORK PLACEMATS BY LOU ORTH PAGE 34</p> <p>8</p> <p>Coaster Cut 1</p> <p>Section 1 Cut 2</p> <p>Section 2 Cut 2</p>
<p>9</p> <p>LAYOUT DIAGRAM</p>	<p>10</p> <p>PATCHWORK PENCIL CASE BY MARY DUGAN PAGE 115</p> <p>Inner curve template</p> <p>Outer curve template</p>	<p>11</p> <p>Outer Cut 2 in fabric and 4 in batting</p>	<p>12</p> <p>Inner Cut 2 in terry cloth</p>



TEMPLATE B
Left face
Cut 1

TEMPLATE C
Right face
Cut 1

TEMPLATE H
Right ear
Cut 1



TEMPLATE G
Left ear
Cut 1

QUILTED CUSHION

BY LAURA PRITCHARD

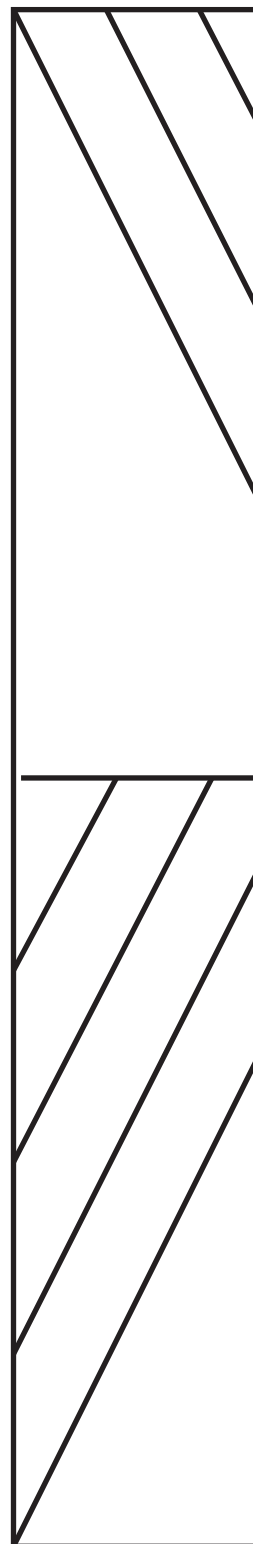
PAGE 77



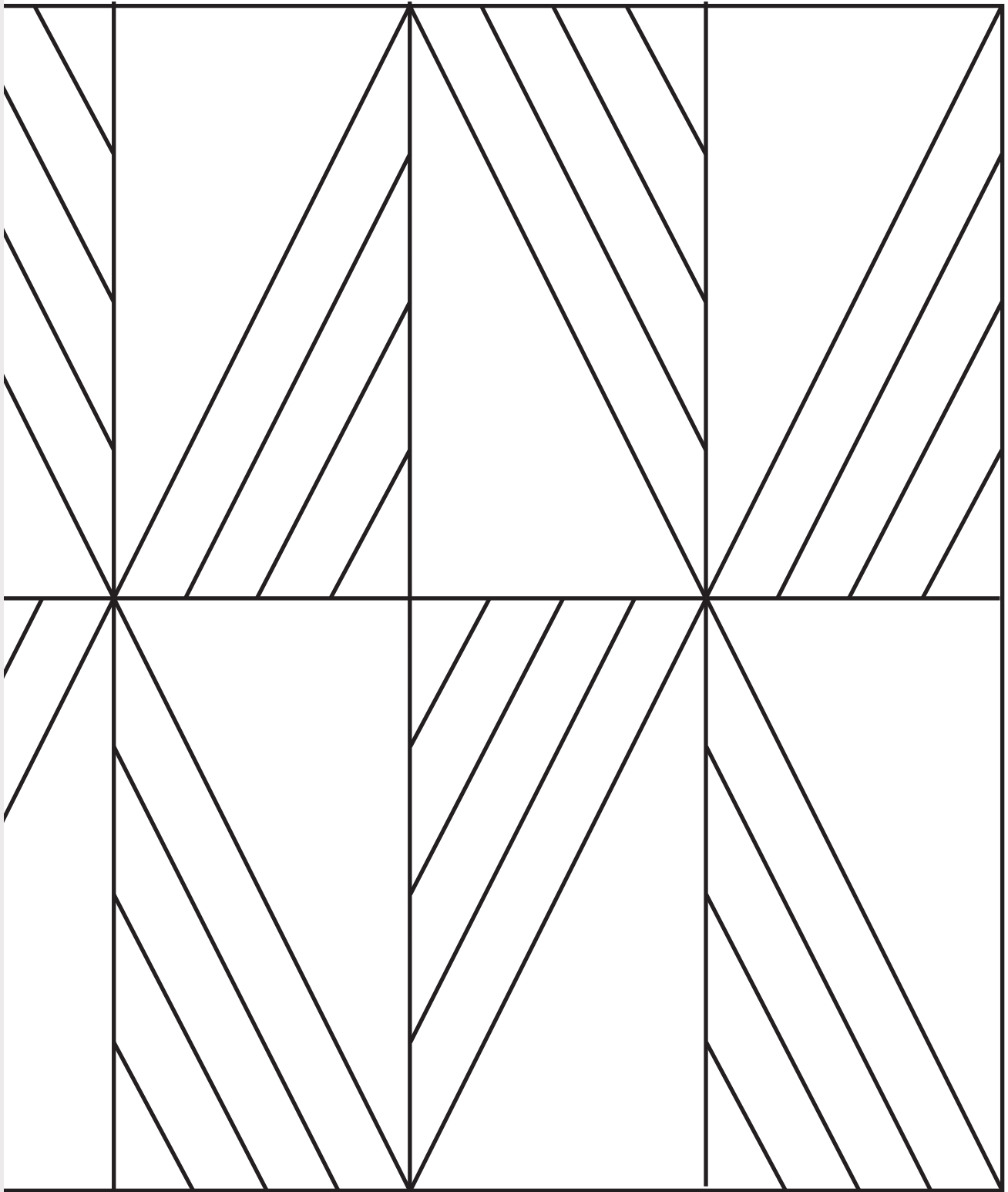
PATCHWORK QUILT

BY LAURA PRITCHARD

PAGE 109

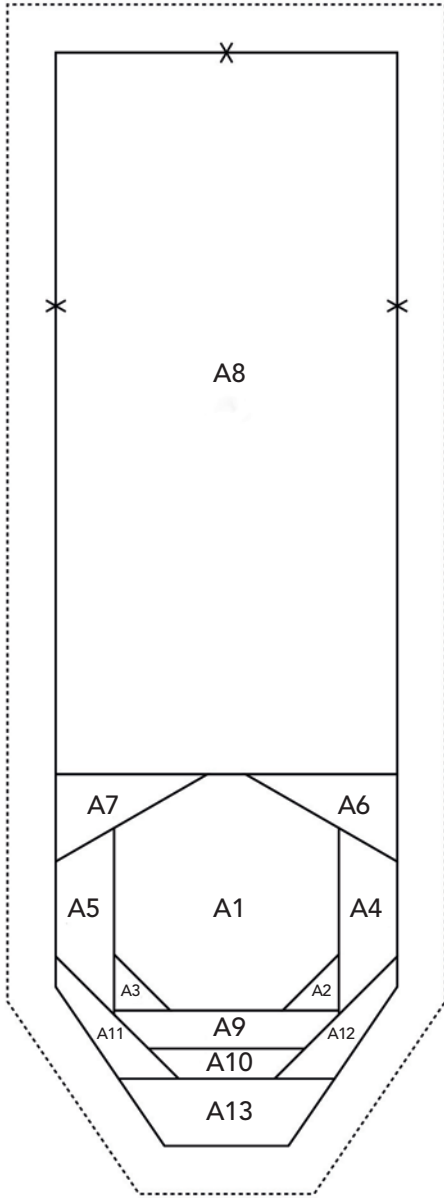


Placemat
Cut 1



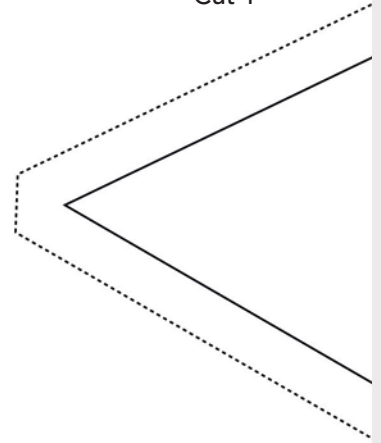
TEMPLATE A

Nose
Cut 1

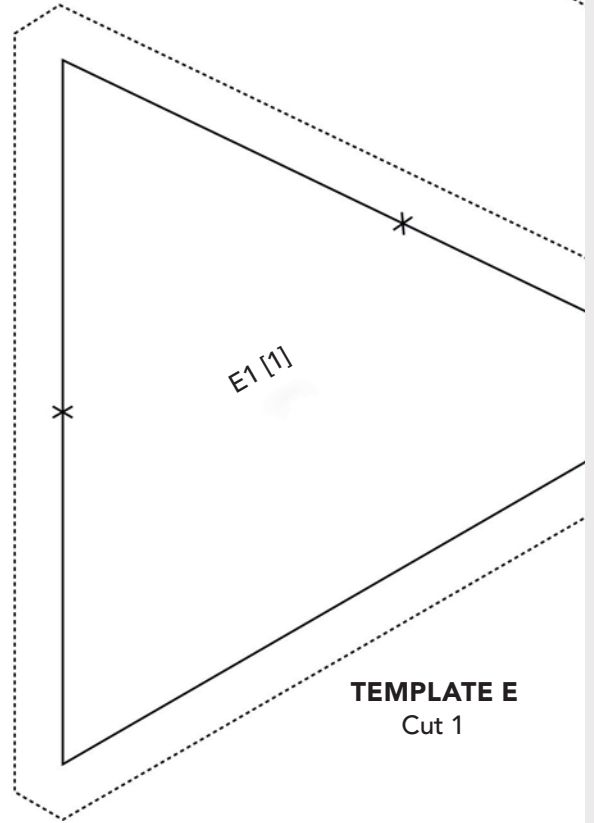


TEMPLATE F

Cut 1

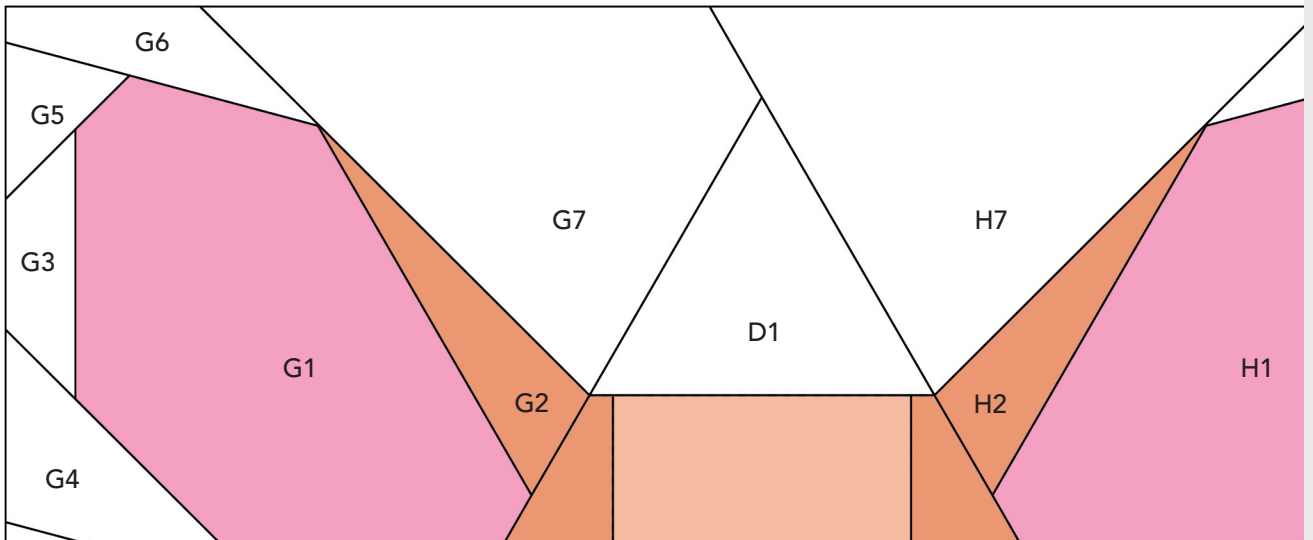


**PATCHWORK
WALL HANGING
BY JOANNE HART
PAGE 16**



TEMPLATE E
Cut 1

LAYOUT DIAGRAM

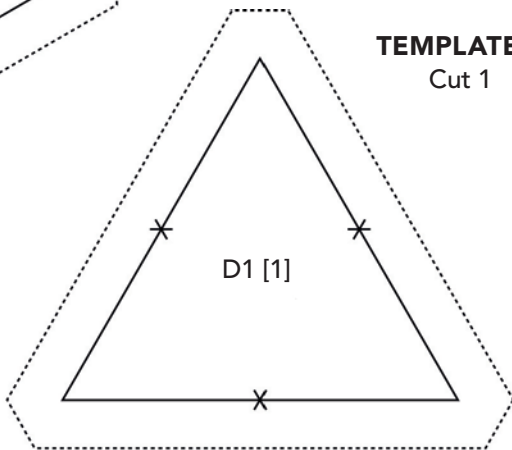
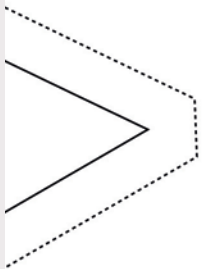
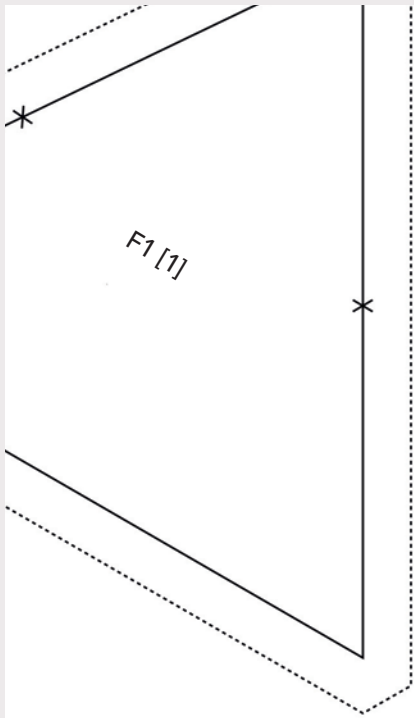


Mollie
MAKES

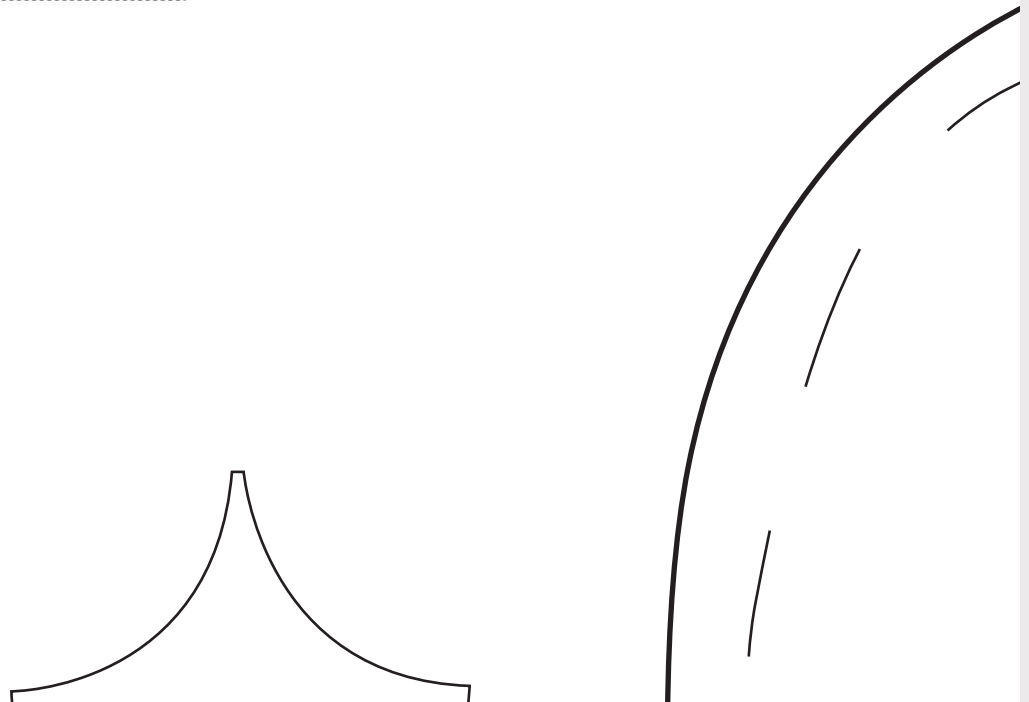
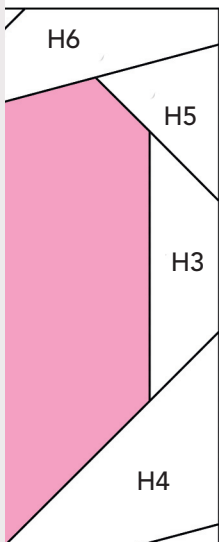
QUILTING

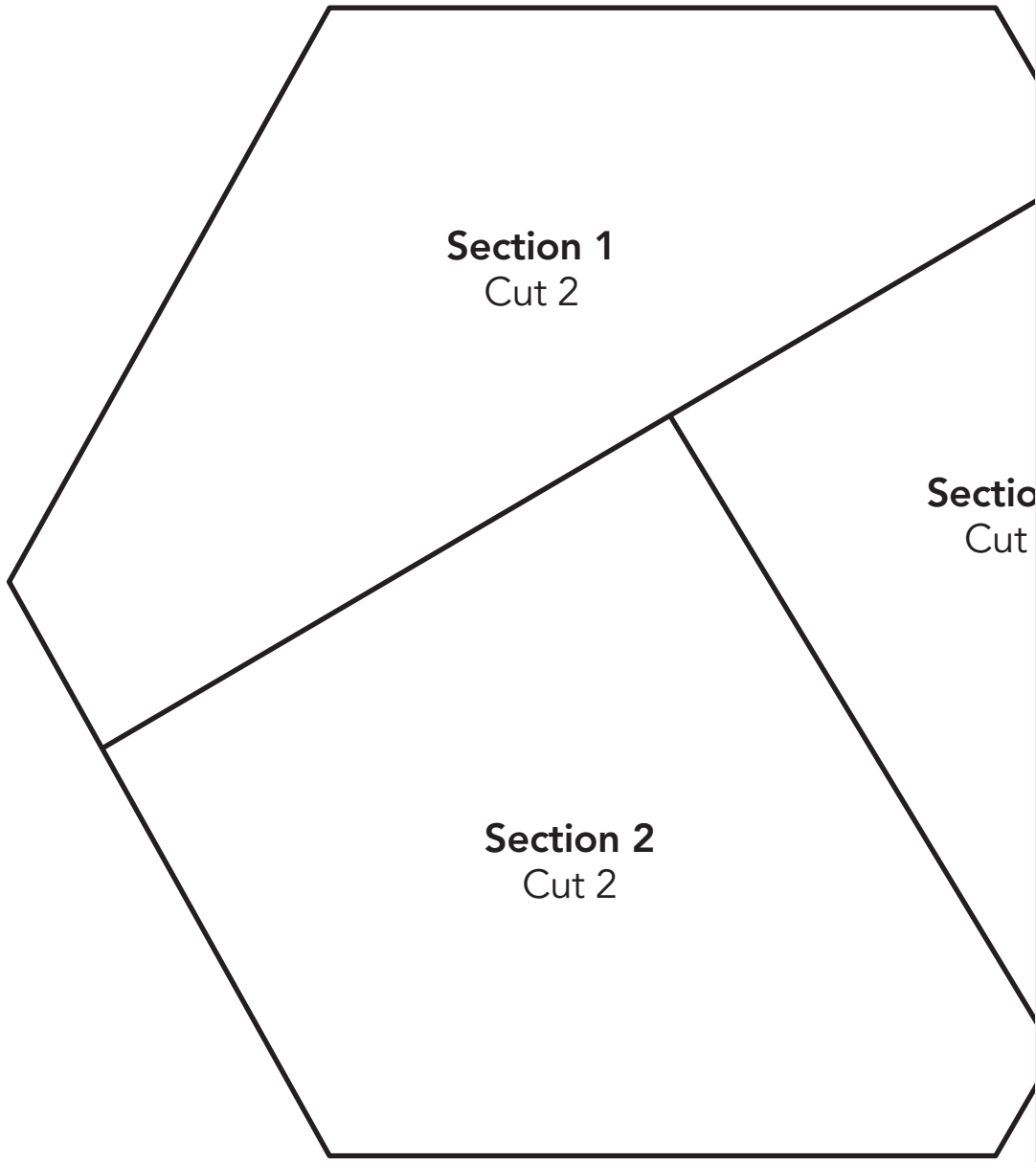
PATCHWORK • APPLIQUÉ • GIFTS • HOME DÉCOR

Use these templates to make the patchwork deer wall hanging, quilted cushion, patchwork quilt, patchwork placemats, oven gloves, patchwork pencil case and geometric patchwork wall hanging.



TEMPLATE D
Cut 1





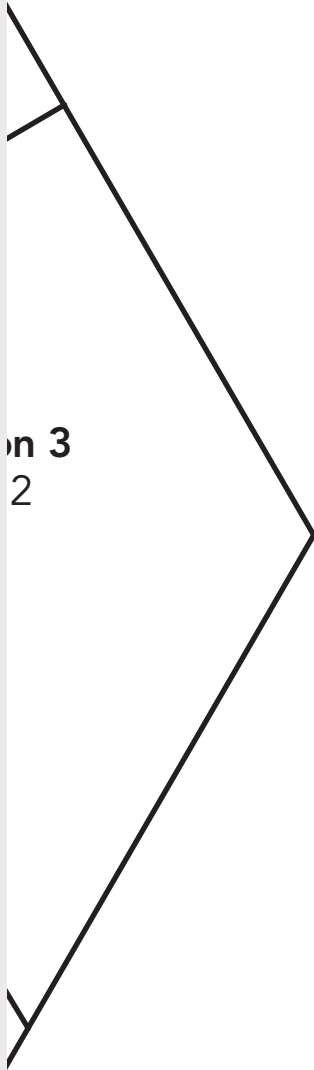
OVEN GLOVES
BY LEAH FARQUHARSON
PAGE 48

PATCHWORK PLACEMATS

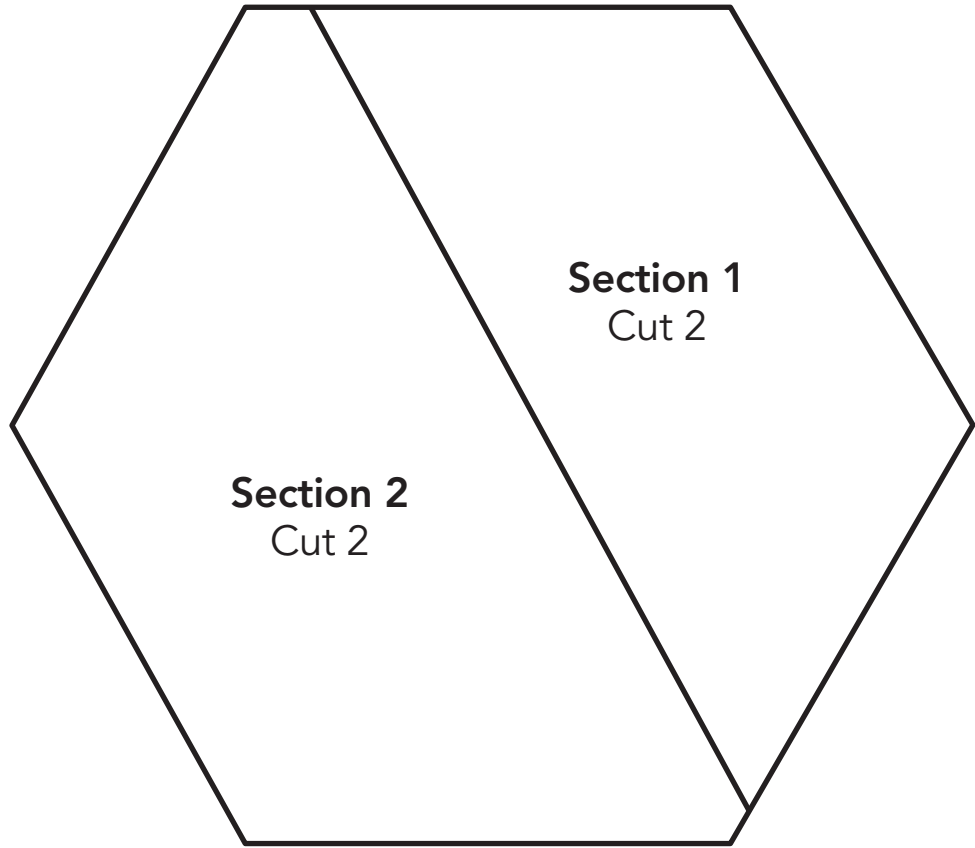
BY LOU ORTH

PAGE 34

Coaster
Cut 1



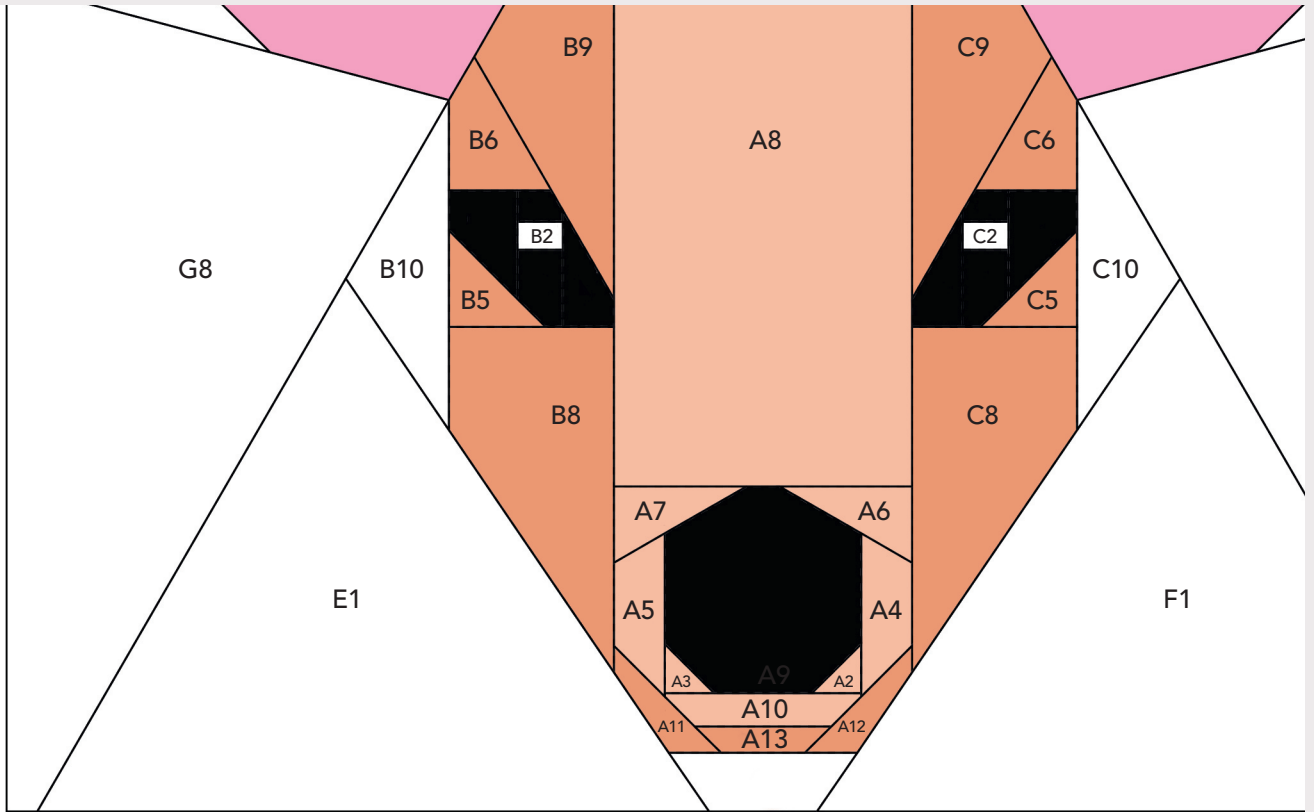
on 3
2



Section 1
Cut 2

Section 2
Cut 2





Mollie **QUILTING**
 MAKES PATCHWORK • APPLIQUÉ • GIFTS • HOME DÉCOR

Thank you for making this project from *Mollie Makes Quilting*. The copyright for these templates belongs to the originators of the project. They work hard to create projects for you to make and love, so please don't re-sell or distribute their work without permission from *Mollie Makes*. We don't mind if you make a copy for a friend but please don't make any part of the templates or instructions available to others through your website or a third-party website, or copy it multiple times without our permission. Please pass on this information if you make a copy for a friend. Copyright law protects creative work, and unauthorised copying is illegal. We appreciate your help.

WWW.MOLLIEMAKES.COM

Patchwork piece
Cut 66

H8

**PATCHWORK
PENCIL CASE**
BY MARY DUGAN
PAGE 115

**PATCHWORK
HANGING**
BY LORNA SLESSOR
PAGE 25

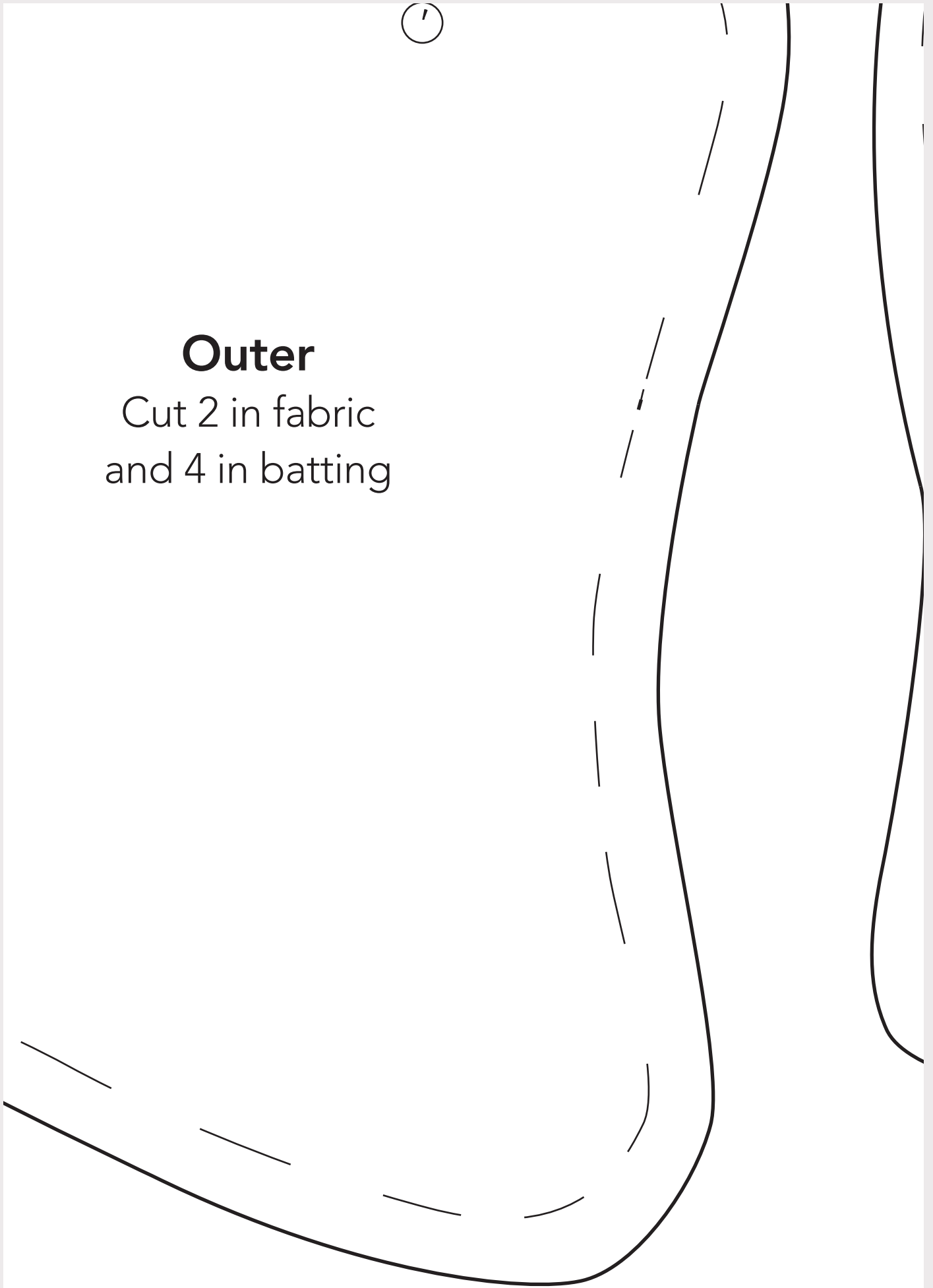
Inner curve template

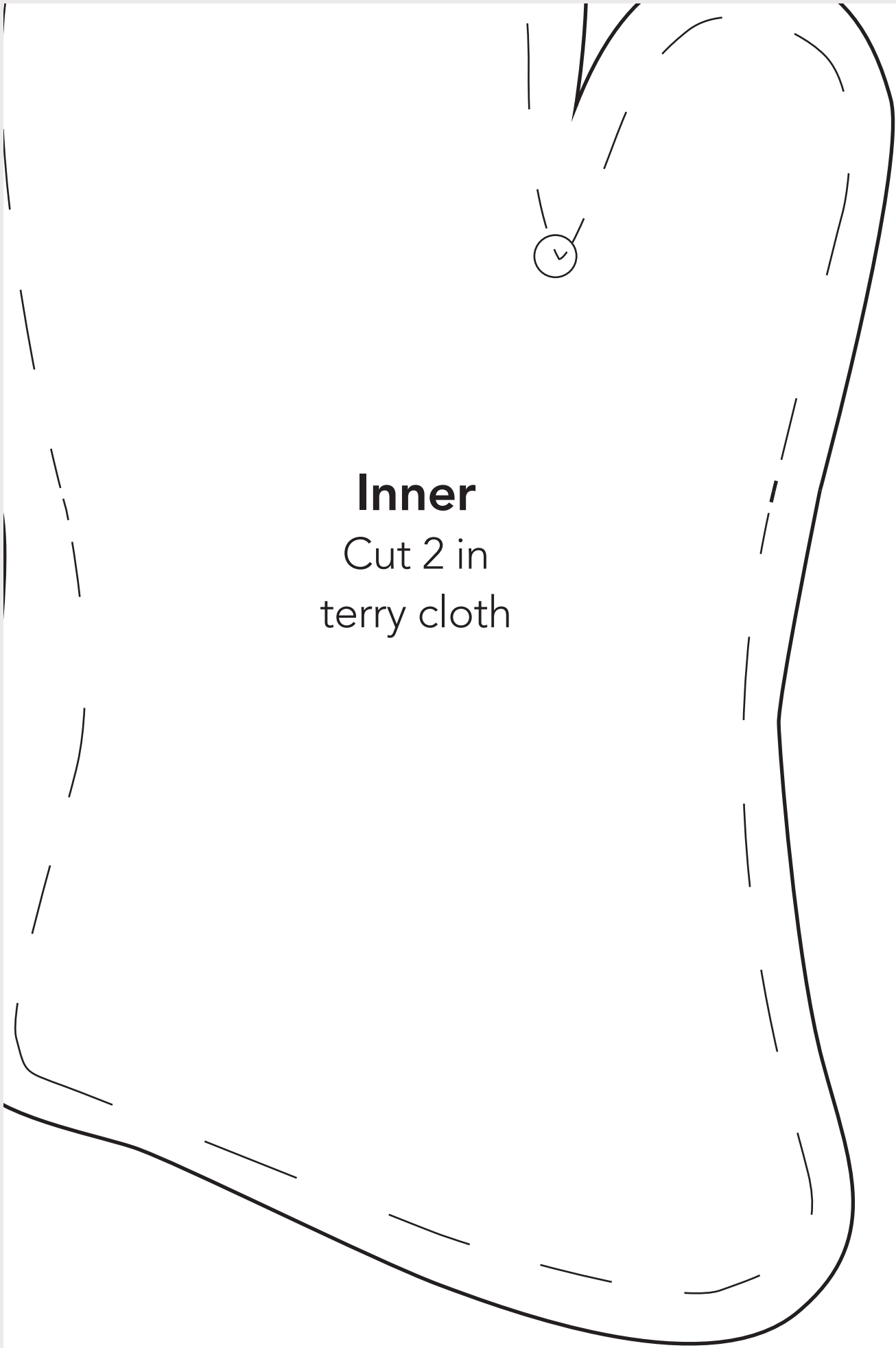
Outer curve template



Outer

Cut 2 in fabric
and 4 in batting





Inner
Cut 2 in
terry cloth